

GXS EDI Services



Using EDI VAN Interconnect

Fourth Edition (November 2005)

This edition replaces GC34-2263-02.

© Copyright GXS, Inc. 1998, 2005. All rights reserved.

Government Users Restricted Rights - Use, duplication, or disclosure restricted.



Contents

- To the reader v
 - Who should read this book v
 - What you need to know before you use this book v
 - How to use this book v
 - Related books v

- Chapter 1. **Introducing EDI VAN Interconnect** 1
 - Sending and receiving messages 3
 - Message delivery 3
 - Formatting your EDI messages 4

- Chapter 2. **Getting started** 5
 - Process summary 6
 - Understanding interchange IDs 7
 - Avoiding duplicate interchange IDs 7
 - Step 1: Defining your interchange ID to EDI VAN Interconnect 8
 - How EDI VAN Interconnect uses interchange IDs 8
 - X12-formatted example 8
 - Step 2: Updating your Information Exchange profile to communicate with other VANs 9
 - Specifying payment levels in your user profile 9
 - Specifying payment levels with a trading partner list 13
 - Step 3: Ensuring that other VANs know your interchange ID 18
 - Step 4: Determining your need for special processing 19

- Chapter 3. **Using customization tables** 21
 - Customization table guidelines 22
 - Commands and parameters 22
 - Command syntax 23
 - DEFCUSTALIAS—Define an interchange ID 24
 - Guideline for using the DEFCUSTALIAS command 27
 - An example of a DEFCUSTALIAS command 27
 - Sample output for the DEFCUSTALIAS command 27

DEFCUSTTP—Define a trading partner	29
Guideline for using the DEFCUSTTP command	31
An example of a DEFCUSTTP command	32
Sample output for the DEFCUSTTP command	32
REQCUSTTBL—Request a customization table	33
An example of a REQCUSTTBL command	35
Sample output for the REQCUSTTBL command	35
Retaining your customization table information	36
Chapter 4. Sending and receiving messages	37
Sending messages to EDI VAN Interconnect	37
Resolving mailbox destinations	37
Processing and validating messages	38
Validating X12 messages	38
Validating UCS messages	39
Validating EDIFACT messages	39
Receiving messages from EDI VAN Interconnect	40
Default processing of messages	40
Special processing of messages	40
User message classes	41
Handling rejected outbound messages	42
Reading X12 error messages	42
Reading UCS error messages	44
Reading EDIFACT error messages	45
Appendix A. EDI VAN Interconnect messages	47
Message syntax	47
Reason codes	47
Messages and codes	49
Appendix B. Formatting EDI envelopes	55
Formatting X12 envelopes	55
Defining X12 data element delimiters	55
Defining X12 subelement delimiters	55
Illustrating X12 segment structures	55
Formatting UCS envelopes	57
Defining the data element delimiter	57
Defining the data segment terminator	57
Illustrating UCS segment structures	57
Formatting EDIFACT envelopes	59
Defining the data element delimiter	59
Including a release character	59
Illustrating EDIFACT segment structures	59
Appendix C. Communicating with other VANs	63
VAN identifications	63
Translating data between networks	64
Glossary	67
Index	1



To the reader

This book tells you how to exchange electronic data interchange (EDI) messages through Information Exchange with your trading partners on other value-added networks (VANs). The book also explains how to add and change information used by Information Exchange to ensure correct message delivery.

Who should read this book

This document is intended for users of EDI Services who want to exchange EDI messages with users on other networks interconnected through EDI VAN Interconnect.

What you need to know before you use this book

This book assumes that you know how to access and use Information Exchange and Information Exchange Administration Services.

How to use this book

The following type convention is used in this book.

In the step-by-step instructions in this book, information that you type is shown in bold. For example:

Next to action, type **6**.

Words in the glossary are shown in italics the first time they are used.

Related books

The following books contain information related to the topics covered in this book:

- Information Exchange Interface Programming Guide, GC34-2222
- Introducing EDI Services, GC34-2211

- Information Exchange Charges Reference, GX66-0653
- Information Exchange Administration Services User's Guide, GC34-2221
- Information Exchange Administration Services Supplement, GN10-4073
- Global Network User's Quick Reference, GX66-0652

Introducing EDI VAN Interconnect

This chapter introduces you to the concepts and terms you need to know to use *EDI VAN Interconnect*, a feature of Information Exchange. Information Exchange is the mailboxing component of EDI Services.

As an Information Exchange user, you can exchange electronic data interchange (EDI) messages with other users, called *trading partners*. A trading partner can be a user on another EDI service interconnected to EDI Services via EDI VAN Interconnect. As an Information Exchange user, you have access to EDI VAN Interconnect and the *value-added networks* (VANs) it supports. No additional hardware or software is necessary.

EDI VAN Interconnect is specifically designed to exchange EDI messages, which are formatted according to special standards developed by different industries and governmental agencies. EDI messages often consist of business transactions, such as sending purchase orders, exchanging funds, or authorizing payments.

With the EDI VAN Interconnect service, you can exchange EDI messages with your trading partners. GXS has agreements with a number of VANs that support EDI message exchange. For a current list, see Appendix C, “Communicating with other VANs.”



NOTE: The VAN your trading partner is on must be able to send and receive ANSI ASC X12 (X12), UCS, and EDIFACT EDI messages.

Figure 1 shows the interrelationship of the services required to exchange messages with your trading partners on external VANs.

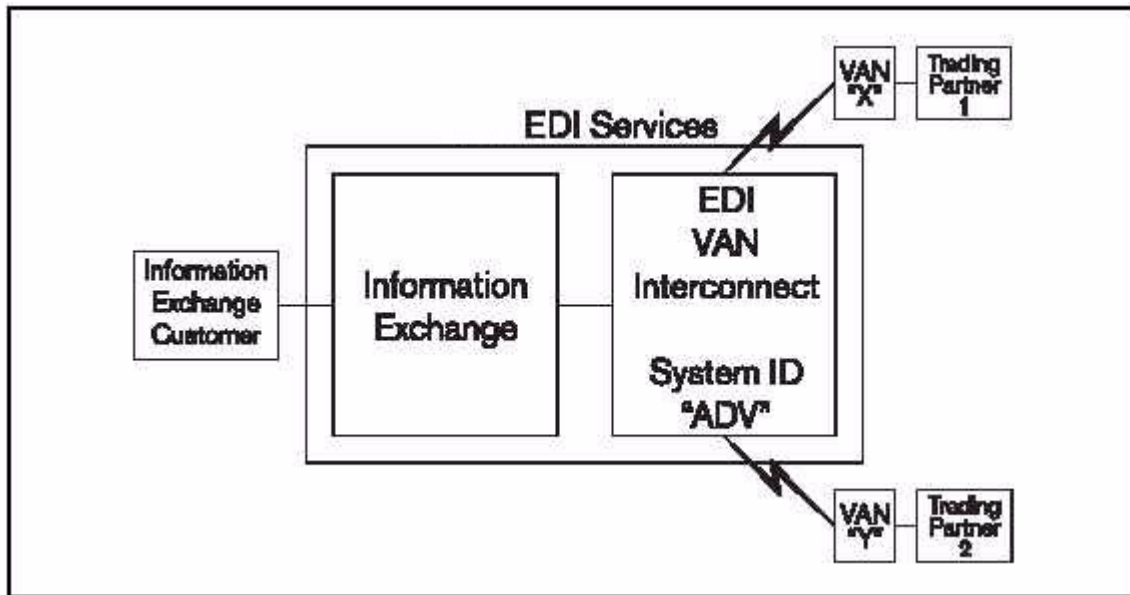


Figure 1. The Big Picture

Figure 1 shows that EDI VAN Interconnect acts as a separate Information Exchange system. EDI VAN Interconnect uses the Information Exchange system ID **ADV**. Each VAN has an Information Exchange user ID under the account VANS on this system. The Information Exchange user ID for each VAN appears in Appendix C, "Communicating with other VANs."

You do not need to specify the system ID **ADV** when sending and receiving messages using EDI VAN Interconnect. The Information Exchange system recognizes the special account VANS and automatically supplies the system ID.

The system ID **ADV** appears in the system ID field of messages received from EDI VAN Interconnect. It also appears on certain Information Exchange Administration Services panels.

Sending and receiving messages

To send an EDI message to a trading partner on another VAN, format your message according to the EDI envelope standard you are using and send the message to the specific Information Exchange mailbox assigned to that VAN. EDI VAN Interconnect removes your message from the VAN's Information Exchange mailbox and forwards it to the VAN. A message sent by EDI VAN Interconnect to an external VAN is called an *outbound message*.

A message received by EDI VAN Interconnect from an external VAN is called an *inbound message*. To receive a message from one of your trading partners, you must define your interchange ID to EDI VAN Interconnect.

An interchange ID is a value you specify that identifies you to EDI VAN Interconnect and your trading partners' networks and VANs, and enables you to send and receive messages through EDI VAN Interconnect. You decide on your interchange ID based on the EDI standards your trading partners use. For more information on standards, see "Formatting your EDI messages".

Message delivery

EDI VAN Interconnect cannot guarantee that a receiving VAN will deliver messages to the intended receivers (trading partners) within a specific time frame, because of the independent nature of each VAN. EDI VAN Interconnect delivers the messages to the other VANs' *gateways*. A gateway is a functional unit that interconnects two computer networks that have different network architectures.

When EDI VAN Interconnect delivers messages to or receives messages from another VAN's gateway, the communications protocol used ensures that the messages are not corrupted by transmission errors. The successful completion of a communications session means the other VAN has received and safely stored the messages, but it does not mean that the messages have been delivered to their intended receivers.

As an additional safeguard, several VANs now support the interconnect mailbag standard developed by the American National Standards Institute's (ANSI) Accredited Standards Committee X12. The mailbag standard provides positive acknowledgment of the receipt of EDI messages exchanged by two VANs. However, a mailbag acknowledgment does not indicate whether the receiving VAN can deliver the messages to their intended receivers.

The ANSI ASC X12 Interchange Delivery Notice segment (TA3) is exchanged between interconnected VANs to inform the sending VAN of actions taken on the interchange by the receiving VAN. The TA3 reports the successful or unsuccessful delivery and retrieval of the interchange to the trading partner on the other VAN. TA3 is supported by a limited number of VANs.

If a receiving VAN cannot determine the actual destination of a message, the message is rejected without notification to either the sender or the intended receiver. If EDI VAN Interconnect receives a message from another VAN, and the message contains an EDI destination address that is not defined to EDI VAN Interconnect, the message is also rejected.

The standard Information Exchange receipt acknowledgment, which you can request from Information Exchange, indicates that EDI VAN Interconnect is processing the message it took from Information Exchange and that the message has been transmitted by EDI VAN Interconnect to the external VAN. But it does not mean that your trading partner has received your message.

If it is important for you to know when a message has been successfully delivered, make arrangements with your trading partner to generate and process functional acknowledgment transactions (X12 997 or UCS 999). EDI VAN Interconnect processes these transactions as though they are normal messages returning from a trading partner.

For more information on Information Exchange receipt acknowledgment formats, see the *Information Exchange Interface Programming Guide*.

Formatting your EDI messages

EDI VAN Interconnect supports the EDI standards discussed in this section. Each standard requires an *envelope* for your EDI message. An envelope consists of a *header* at the beginning of your message and a *trailer* at the end of your message. The header and trailer, defined by the standard, contain data that tells the interconnected networks how to process the EDI message for correct delivery.

EDI VAN Interconnect recognizes these EDI envelope standards:

- Envelopes conforming to *X12*, the EDI standard proposed by the ANSI Accredited Standards Committee (ANSI ASC). For more information, see “Formatting X12 envelopes”.
- Envelopes conforming to the *Uniform Communication Standard (UCS)*. For more information, see “Formatting UCS envelopes”.
- Envelopes conforming to the *Electronic Data Interchange for Administration, Commerce, and Transport (EDIFACT)* standard. This is an international EDI standard developed by the United Nations Economic Commission for Europe. For more information, see “Formatting EDIFACT envelopes”.

Getting started

This chapter explains how to get started with EDI VAN Interconnect. To use EDI VAN Interconnect, you need:

- An Information Exchange account ID and user ID
- Access to Information Exchange Administration Services

For more information, refer to the *Information Exchange Administration Services User's Guide*.

This chapter also explains the required steps to exchange EDI messages with your trading partners on other VANs. These steps are:

1. Defining your interchange ID to EDI VAN Interconnect using either the DEFCUSTALIAS command or an EDI message
2. Updating your Information Exchange user profile
3. Ensuring that other VANs know your interchange ID
4. Determining your need for special processing

To help you get started quickly, the discussion of each step includes implementation examples using Information Exchange Administration Services. If you are new to EDI VAN Interconnect, first follow the steps presented here. Afterward, you may want to change the order to suit your situation and access methods.

If you are unfamiliar with the field names in EDI envelope headers, trailers, and acknowledgment records, read Appendix B, “Formatting EDI envelopes.”

Process summary

Below is a summary of the procedure for using EDI VAN Interconnect. The remainder of this chapter details the procedure for using the default processing provided by EDI VAN Interconnect. See Chapter 3, “Using customization tables,” for the procedure for using the special processing features provided by EDI VAN Interconnect.

Using your Information Exchange account ID and user IDs, follow the procedure below.

- Determine if you or your trading partner normally receive transmissions.

In the communication between trading partners on VANs, sometimes one trading partner only sends transmissions to the other. In such a case, two-way communication does not take place. For example, your trading partner may order parts from you. In this case, your trading partner sends transmissions to you and you receive them. You do not send transmissions back to your trading partner.

- If your trading partner can receive documents from you initially, do the following:
 - Coordinate sending a document to your trading partner.
Notify your trading partner that you will send an EDI document.
 - Send the EDI document to your trading partner.
This automatically registers the interchange IDs contained in the document with EDI VAN Interconnect.
- If your trading partner must send documents to you initially, do the following:
 - Determine the parameters you want to use for the DEFCUSTALIAS command. For more information, see “DEFCUSTALIAS—Define an interchange ID”.
 - Send the completed DEFCUSTALIAS command to account ID VANS EDISVCS. This registers your interchange ID and its associated parameters with EDI VAN Interconnect.
- If EDI VAN Interconnect’s default processing is sufficient, your procedure is complete and you can begin using EDI VAN Interconnect.
- To use EDI VAN Interconnect’s special processing features, see Chapter 3, “Using customization tables,” for information. Special processing features include the following:
 - Specifying which trading partners can send you EDI documents
 - Specifying a user message class for inbound files
 - Seeing the user IDs of files sent to you
 - Having EDI VAN Interconnect provide character substitution on inbound X12-formatted messages

Understanding interchange IDs

You and your trading partner must know each other's interchange IDs. An interchange ID is known as an *alias* to Information Exchange. EDI VAN Interconnect uses interchange IDs to ensure that messages sent to you and sent by you are routed correctly. When you send X12 data, include a qualifier with your interchange ID. When you send EDIFACT data, you may optionally include a qualifier with your interchange ID. A qualifier defines the type of interchange ID you are using.

To ensure that your messages are routed correctly, define your interchange IDs to EDI VAN Interconnect. Your interchange ID should be the same for both the send and receive processes. If you use different interchange IDs for sending and receiving, you must define both interchange IDs to EDI VAN Interconnect.

Avoiding duplicate interchange IDs

When you define your ID to EDI VAN Interconnect, you specify the interchange ID you want your trading partner to use when addressing messages to you. You can use any interchange ID that you and your trading partner agree on, but the interchange ID you use must be unique within EDI VAN Interconnect. No other EDI VAN Interconnect user can have the same interchange ID, including other users within your account.

The most commonly used interchange IDs are telephone numbers and Dun and Bradstreet (DUNS) numbers. Telephone numbers and DUNS numbers are unique within themselves. However, because each interchange ID can be associated with only one EDI VAN Interconnect account ID and user ID, telephone numbers and DUNS numbers cannot be shared by several users unless you make them unique for each account ID and user ID. You can make them unique by adding a unique suffix to the telephone number or DUNS number.

If you try to add an interchange ID that is used by someone else, the interchange ID will not be accepted. You and your trading partner must then decide on another interchange ID. Because of the possible limitations of some VANs, choose your interchange IDs carefully. Contact your trading partners for a valid interchange ID to use when defining yourself to them.

Step 1: Defining your interchange ID to EDI VAN Interconnect

Once you and your trading partners have agreed on which interchange IDs to use, you must define these IDs to EDI VAN Interconnect. The following are two methods to do this:

- Method 1: Create an EDI document and send it to your trading partner.

To do this, set up an Information Exchange trading partner definition for each VAN on which you have trading partners. For information on how to do this, see “Step 2: Updating your Information Exchange profile to communicate with other VANs” on page 2-4. You must also ensure that your trading partners notify their VANs. For information on how to do this, see “Step 3: Ensuring that other VANs know your interchange ID”.

When you send an EDI document, EDI VAN Interconnect checks the sending and receiving interchange IDs. If these IDs are not already defined, EDI VAN Interconnect automatically adds your entries. However, if your trading partner must send to you first, this method does not work.

- Method 2: Send a DEFCUSTALIAS customization table command to EDI VAN Interconnect.

To understand the DEFCUSTALIAS command and other customization table commands, see Chapter 3, “Using customization tables.” Use the DEFCUSTALIAS command if you need special processing features or if your trading partner must send to you first.

How EDI VAN Interconnect uses interchange IDs

When EDI VAN Interconnect receives an inbound message, it searches for an interchange ID in the following fields of the message header:

- In an X12 header, the interchange ID is in field ISA08 and the associated qualifier is in field ISA07. Refer to Table B-1 on page B-2.
- In a UCS header, the interchange ID is in field BG02 or field BG04. Refer to Table B-4 on page B-4.
- In an EDIFACT header, the interchange ID is in data element 0010 and the associated qualifier is in data element 0007 of the composite data element S0003. For the position of this field, refer to Table B-7.

EDI VAN Interconnect uses the interchange ID to locate a customization table entry. When it finds a match, it determines the Information Exchange account ID and user ID of that interchange ID. Using the account ID and user ID, EDI VAN Interconnect forwards the message to the appropriate Information Exchange mailbox.

X12-formatted example

Suppose your trading partner sends you an X12-formatted message, identifying you in the message header as D123456789 in the ISA08 field and 01 in the ISA07 field. You want the message delivered to your Information Exchange mailbox that has an account ID of ACCT1 and a user ID of USER1. When EDI VAN Interconnect receives an inbound message addressed to D123456789 with a qualifier of 01, EDI VAN Interconnect looks at the customization table and

determines that alias D123456789 is assigned to an account ID of ACCT1 and a user ID of USER1. EDI VAN Interconnect passes the message to Information Exchange, which then places the message in that mailbox.

Step 2: Updating your Information Exchange profile to communicate with other VANs

To exchange messages between your Information Exchange mailbox and EDI VAN Interconnect, you may need to update your *Information Exchange user profile*. An Information Exchange user profile contains information on characteristics unique to you and describes how you want to perform functions in Information Exchange. Your Information Exchange user profile also specifies the payment structure you agree to when exchanging messages with your trading partners.

To exchange messages with trading partners on another VAN, set up your payment levels in a manner that states you are willing to pay the send charge for sending data to EDI VAN Interconnect and the receive charge for receiving data sent from an EDI VAN Interconnect mailbox. If your user ID does not have the authorization level to establish payment levels, contact your Information Exchange Service Administrator.

There are two methods to specify your payment levels:

- Method 1: Update your Information Exchange user profile.
- Method 2: Update your Information Exchange user trading partner list.

Use Information Exchange Administration Services to update your profile or update a trading partner list.

Refer to *Information Exchange Administration Services User's Guide* and *Information Exchange Charges Reference* for more information about Information Exchange profiles and charges. Information Exchange Administration Services is also available, with limited function, on the Internet at the following URL: <http://www.gxs.com>.

Specifying payment levels in your user profile

If you do not use trading partner lists, you must update your default Information Exchange user profile. To do this, start on the Information Exchange Administration Services Main Menu.

```
M00000US          Information Exchange Administration Services
                   Main Menu
                   System ID : SYI

Action 1 Work with one of the following:
  1. Profiles
  2. Alias tables
  3. Distribution lists
  4. Messages
  5. Audit trails and session traces
  6. Trading partners
  7. Libraries
  8. Events
  9. X.400 services
 10. Carbon copy relationships
  X. Exit from Information Exchange Administration Services

-----

Command ==>>
Enter F1=Help F3=Exit
```

1. Next to action, type **1**.
2. Press Enter.

Information Exchange Administration Services displays the Work with Profiles panel.

```
M10000US          Work with Profiles

Account ID..... ACCT1  (actions 5 - 8)
User ID.....     USER1 (actions 5 - 8)

Action.....      4      1. List system IDs
                       2. Work with account profiles
                       3. List user IDs
                       4. Work with user profiles
                       5. Change a user's password
                       6. Reset a user's password
                       7. Reset a user's session
                       8. Information about last active user session
                       9. Work with messages

-----

Command ==>>
Enter F1=Help F3=Main Menu F4=Main Menu
```

3. Next to "Account ID," type your account ID.

4. Next to "User ID," type your user ID.
5. Next to action, type 4.
6. Press Enter.

Information Exchange Administration Services displays the Work with User Profiles panel. The account ID and user ID you specified are filled in at the top of the panel.

```

M1400US:          Work with User Profiles

Account ID..... ACCT1      (actions 1 - 3, and 5)
User ID.....      USER1    (actions 1, 2, and 5)
Profile type.....  _

Action.....      2  1. Browse a user's profile
                   2. Change a user's profile
                   3. Change multiple users' profile types
                   4. Work with trading partners
                   5. Add and delete a user from groups
                   6. Work with event profiles

Command ==>>>
Enter F1=Help F3=Exit F4=Main Menu

```

7. Next to action, type 2.
8. Press Enter.

Information Exchange Administration Services displays the Change a User's Profile panel filled in with the current values for this profile. These values may correspond to a profile type. If you change the value of the profile type, Information Exchange Administration Services displays the remaining fields with the values that correspond to that profile type.

```

M1410US          Change a User's Profile          (Panel 1 of 3)
Account ID / user ID..... ACCT1 / USER1
Profile type..... 01

As sender (Y/N):
Pay for sending?... Y   Pay for receiving?... Y   Block communication?... N
As receiver (Y/N):
Pay for sending?... N   Pay for receiving?... N   Block communication?... N

As carbon copy partner (Y/N):
Pay for processing?..... N   Pay for receiving?..... N
As carbon copy recipient (Y/N):
Pay for processing?..... N   Pay for receiving?..... N

Forced archiving? (Y/N)..... N   Archive days (Max 365 )..... 0
Authorization level (1-6)..... 6   Number of audit/session/event
Language suffix (Default US )..... US   days ( 015 - 045 )..... 15
Cluster mailbox user? (Y/N)..... N   Number of mailboxes (2-99)..... 0

Command ==>
Enter F1=Help F3=Exit F4=Main Menu F8=Forward F12=Cancel

```

9. Specify your willingness to pay for messages sent and received by typing **y** or **n** in the payment-level fields.

The following specifications are the minimum required payment levels for EDI VAN Interconnect.

- a. Under “As sender,” specify these values:

Next to this field:	Type this value:	
Pay for sending?	Y	This indicates you are willing to pay send-side charges for outbound messages.
Pay for receiving?	N	This indicates you are not willing to pay receive-side charges for outbound messages.
Block communication?	N	This indicates you do not want to block outbound messages to EDI VAN Interconnect.

- b. Under “As receiver,” specify these values:

Next to this field:	Type this value:	
Pay for sending	N	This indicates you are not willing to pay send-side charges for inbound messages.

Next to this field:	Type this value:
Pay for receiving?	Y This indicates you are willing to pay receive-side charges for inbound messages.
Block communication?	N This indicates you do not want to block inbound messages from EDI VAN Interconnect.

10. To record your updates, press Enter.

```

M1410US          Change a User's Profile          (Panel 1 of 3)
Account ID / user ID..... ACCT1    / USER1
Profile type.....        00

As sender (Y/N):
Pay for sending?... Y   Pay for receiving?... N   Block communication?... N
As receiver (Y/N):
Pay for sending?... N   Pay for receiving?... Y   Block communication?... N

As carbon copy partner (Y/N):
Pay for processing?..... N           Pay for receiving?..... N
As carbon copy recipient (Y/N):
Pay for processing?..... N           Pay for receiving?..... N

Forced archiving? (Y/N)..... N       Archive days (Max 365 )..... 0
Authorization level (1-6)..... 6     Number of audit/session/event
Language suffix (Default US )..... US days ( 015 - 045 )..... 15
Cluster mailbox user? (Y/N)..... N   Number of mailboxes (2-99)..... 0

Command ==>>
Enter F1=Help F3=Exit F4=Main Menu F8=Forward F12=Cancel

```

11. Press F4 to return to the Main Menu and continue working with Information Exchange Administration Services.

For more information about Information Exchange profiles and charges, refer to the *Information Exchange Administration Services User's Guide* and *Information Exchange Charges Reference*.

Specifying payment levels with a trading partner list

To specify payment levels with a trading partner list, start on the Information Exchange Administration Services Main Menu.

```
M0000US          Information Exchange Administration Services
                  Main Menu
                  System ID : SY1

Action 6 Work with one of the following:
  1. Profiles
  2. Alias tables
  3. Distribution lists
  4. Messages
  5. Audit trails and session traces
  6. Trading partners
  7. Libraries
  8. Events
  9. X.400 services
 10. Carbon copy relationships
  X. Exit from Information Exchange Administration Services

Command ==>
Enter F1=Help F3=Exit
```

1. Next to action, type 6.
2. Press Enter.

Information Exchange Administration Services displays the Work with Trading Partners panel.

```
M1330US          Work with Trading Partners

Account ID.... ACCT1          (actions 1 - 9)
User ID.....  USER1        (actions 1 - 9)
Specify partner:             (actions 2 - 7)
User.....  ADV VANS INTERCON  or
Alias.....  _____

Action.....  2  1. List trading partners
                2. Add a trading partner
                3. Browse a trading partner
                4. Change a trading partner
                5. Delete a trading partner
                6. Copy a trading partner
                7. Copy another user's trading partner list
                8. Copy a distribution list to a trading partner list
                9. Delete trading partner list
               10. Work with carbon copy relationships

Command ==>
Enter F1=Help F3=Main Menu F4=Main Menu
```

3. Next to "Account ID," type your account ID.
4. Next to "User ID," type your user ID.

5. Specify the partner as ADV VANS INTERCON.

This account ID and user ID are the defaults that EDI VAN Interconnect uses for inbound data that does not have a customization table entry. For more information, see “Receiving messages from EDI VAN Interconnect”.

6. Next to action, type 2.
7. Press Enter.

Information Exchange Administration Services displays the Add a Trading Partner panel.

```

M1332US          Add a Trading Partner
Account ID / user ID. ACCT1 / USER1
Partner:
User.....      ADV VANS INTERCON or
Alias.....

As sender (Y/N):
Pay for sending?... Y  Pay for receiving?... N  Block communication?... N
As receiver (Y/N):
Pay for sending?... N  Pay for receiving?... Y  Block communication?... N
As carbon copy partner (Y/N):
Pay for processing?..... N  Pay for receiving?..... N
As carbon copy recipient (Y/N):
Pay for processing?..... N  Pay for receiving?..... N
Require partner to be ESO? (Y/N)... N

Command ==>
Enter F1=Help F2=Save and continue F3=Exit F4=Main Menu F12=Cancel

```

8. Specify your willingness to pay for messages sent and received by typing **y** or **n** in the payment-level fields.

The following specifications are the minimum required payment levels for EDI VAN Interconnect.

- a. Under “As sender,” specify these values for the send-payment level:

Next to this field:	Type this value:
Pay for sending?	Y This indicates you are willing to pay send-side charges for outbound messages.
Pay for receiving?	N This indicates you are not willing to pay receive-side charges for outbound messages.

Next to this field: **Type this value:**

Block communication? **N**

This indicates you do not want to block outbound messages to EDI VAN Interconnect.

b. Under “As receiver,” specify these values for the receive-payment level:

Next to this field: **Type this value:**

Pay for sending? **N**

This indicates you are not willing to pay send-side charges for inbound messages.

Pay for receiving? **Y**

This indicates you are not willing to pay receive-side charges for inbound messages.

Block communication? **N**

This indicates you do not want to block inbound messages from EDI VAN Interconnect.

Press F2 to save this trading partner and continue to add additional trading partners.

```

M1332US          Add a Trading Partner
Account ID / user ID. ACCT1 / USER1

Partner:
User..... or
Alias.....

As sender (Y/N):
Pay for sending?... Y  Pay for receiving?... N  Block communication?... N
As receiver (Y/N):
Pay for sending?... N  Pay for receiving?... Y  Block communication?... N
v As carbon copy partner (Y/N):
Pay for processing?..... N  Pay for receiving?..... N
As carbon copy recipient (Y/N):
Pay for processing?..... N  Pay for receiving?..... N
Require partner to be ESO? (Y/N)... N

Command ==>
Enter  F1=Help  F2=Save and continue  F3=Exit  F4=Main Menu  F12=Cancel

```

9. For each of your trading partners, add the following account ID and user ID:

Account	User ID	Description
VANS	xxMAIL	This is the account ID and user ID that EDI VAN Interconnect uses for files to be transmitted to another VAN. Replace xx with a 2-character identifier for the other VAN. Use this account ID and user ID when sending files to your trading partner on another VAN.

For a list of valid user IDs, see Appendix C, “Communicating with other VANs.”



NOTE: The system ID (Sys ID) ADV is automatically inserted when appropriate. You do not need to enter anything in the Sys ID field.

10. When you have entered the data for the last user ID you want to add, press F3.

Information Exchange Administration Services displays the Work with Trading Partners panel again.

11. Press F3 or F4 to return to the Main Menu and continue working with Information Exchange Administration Services.

Refer to the *Information Exchange Administration Services User's Guide* and *Information Exchange Charges Reference* for more information about Information Exchange profiles and charges.

Step 3: Ensuring that other VANs know your interchange ID

For your trading partners to exchange documents with you, they must ensure that their VANs know who you are and can communicate with you.

It is your trading partners' responsibility to:

- Inform their VANs of the interchange ID by which you are addressed
- Make any appropriate changes on their VANs to exchange messages with you

It is assumed that when you start sending messages through EDI VAN Interconnect:

- Your interchange ID is appropriately registered in the external VAN
- Any other requirements specified by the VAN have been met

The specific arrangements that must be made between you and your trading partners will differ depending upon the VANs they use. You are responsible for ensuring that appropriate contractual agreements have been made between you and your trading partners or between you, your trading partners, and their VANs.

Step 4: Determining your need for special processing

EDI VAN Interconnect provides special processing features for inbound and outbound messages. Use these features if the defaults that EDI VAN Interconnect provides for processing messages are not adequate for your business needs. With special processing you can:

- Specify the user message class for inbound files.

A user message class is a way of categorizing messages according to groups, allowing the Information Exchange user to selectively receive messages. The default is #E2 (X12-formatted messages), #EC (UCS-formatted messages), and #EE (EDIFACT-formatted messages).

- Have EDI VAN Interconnect provide character substitution for field delimiters on inbound X12-formatted messages.

The default is that EDI VAN Interconnect transfers the data unchanged.

- Specify which trading partners are authorized to send to you.

The default allows any trading partner to send messages to you.

To use any of these special processing features for any of your trading partners, you must create a customization table file and send it to EDI VAN Interconnect. For a detailed explanation of the special processing features, see Chapter 3, “Using customization tables.”

Using customization tables

This chapter explains how to set up and use customization tables for inbound and outbound messages.

When you exchange mail with trading partners, the default processing that EDI VAN Interconnect provides may be sufficient for your business needs. However, you may want to use special processing features available through EDI VAN Interconnect. You use an EDI VAN Interconnect facility called the customization table to define special processing features for your messages.

A customization table tells EDI VAN Interconnect how to process your messages, and allows you to define special processing features for your messages.

Use the customization table if you want to:

- Specify a user message class for inbound files.

Use the *msgclass* parameter of the DEFCUSTALIAS command to specify the user message class for inbound files that EDI VAN Interconnect sends to your Information Exchange mailbox.

- Have EDI VAN Interconnect provide character substitution for field delimiters on inbound X12-formatted messages.

Use the *elmsep*, *subelm*, and *segterm* parameters of the DEFCUSTALIAS command to indicate the control characters substitution on inbound files.

- See the sending user ID under an account ID of VANS for inbound files that EDI VAN Interconnect sends to your mailbox.

Use the *sndvanid* parameter of the DEFCUSTALIAS to specify a sending user ID.

- Specify which trading partners are authorized to send to you.

Use the *vfysnd* parameter of the DEFCUSTALIAS command to indicate whether you want EDI VAN Interconnect to verify that a non-Information Exchange trading partner is authorized to send files to you. Use the *authacc* parameter of the DEFCUSTTP command to specify whether any trading partner is authorized to send files to you.

For more information on the DEFCUSTALIAS and the DEFCUSTTP commands, see “DEFCUSTALIAS–Define an interchange ID” and “DEFCUSTTP–Define a trading partner”.

To use these special processing features, you must:

1. Create a customization table file that contains the commands and parameters that EDI VAN Interconnect processes.
2. Send the customization table file to a mailbox that has an account ID of VANS and user ID of EDISVCS, with a user message class of CUSTABLE. EDI VAN Interconnect updates the information it receives in all VANS mailboxes.

Customization table guidelines

You can update customization table entries at both the user and account levels. For example, a user with an account ID of ACCT1 and user ID of USER1 can update entries for a user on the same account with a user ID of USER2.

Follow the guidelines below when you submit customization table files to EDI VAN Interconnect:

- Use a message class of CUSTABLE when you send a customization table to the EDI VAN Interconnect mailbox with an account ID of VANS and a user ID of EDISVCS.
- Specify a function for each entry if you want to add, change, or delete any entries in a customization table.
- Submit a customization table file for your own user ID or another user ID within your account.
- Read the confirmation message that EDI VAN Interconnect sends to you after it processes the customization table file. This message tells you the processing results for each entry within the table.

Commands and parameters

This section describes the following customization table commands and their associated parameters:

- **DEFCUSTALIAS**
This command defines your interchange ID to EDI VAN Interconnect for special processing of inbound messages.
- **DEFCUSTTP**
This command defines your non-Information Exchange trading partners' interchange IDs to EDI VAN Interconnect for special processing.
- **REQCUSTTBL**
This command requests that copies of all existing customization table entries be placed in your mailbox.

Command syntax

The syntax of the customization table commands and parameters is shown below:

```
COMMAND parameter(value) parameter(value) . . . parameter(value) ;
```

where:

COMMAND

Identifies the EDI VAN Interconnect command.

parameter

Identifies a parameter associated with the command.

value

Defines the variable value associated with the parameter.

... Indicates you can specify as many parameters as you want.

; Ends the command.

In the detailed command descriptions that follow, all parameter variables are shown in italics. Parameters that begin an entry are in bold-faced type. Default parameter values are underlined. In some command syntaxes, you have a choice between parameter values. These values are indicated by a vertical line (|) that separates each choice.

The customization table file can contain any multiples of these commands. Each command is separated by a semicolon.

Each command contains one or more *entries*. Each entry specifies the customization information for one alias or trading partner.

You can identify aliases and trading partners in two ways. You can either specify the *editype*, *ediqua*, and *ediname* parameters, or you can combine this information and specify only the *ediid* parameter. Both methods produce the same results.

In a customization table, a new entry begins when:

- You specify a new or initial *function*.
- You specify a new or initial *editype*, *ediqua*, and *ediname*.
- You specify a new *ediid*.

An entry ends at the end of the command, or when the next new entry starts.

EDI VAN Interconnect processes each command on an entry-by-entry basis. If some entries in a command contain errors, EDI VAN Interconnect processes the remaining entries. EDI VAN Interconnect returns a file containing messages describing the results of each entry.

DEFCUSTALIAS—Define an interchange ID

Use the DEFCUSTALIAS command to define special processing for your Information Exchange interchange IDs. Interchange IDs are known as aliases to Information Exchange. You use the DEFCUSTALIAS command to add a new interchange ID, and change or delete an existing interchange ID from an EDI VAN Interconnect customization table.

The syntax of the DEFCUSTALIAS command is shown in the following table. As the table shows, there are two methods to identify aliases and trading partners. You can either specify the *editype*, *ediqua*, and *ediname* parameters, or you can combine this information and specify only the *ediid* parameter. Both methods produce the same results. The ellipsis (...) indicates that you can list as many interchange IDs and definitions as necessary.

Using editype, ediqua, and ediname	Using ediid
<pre> DEFCUSTALIAS function(a c d) editype(x u e) ediqua(associated qualifier) ediname('define alias 1') userid(userid) elmsep(X'xx' 'c') subelm(X'xx' 'c') segterm(X'xx' 'c') vfysnd(n y only) msgclass(# f 'aaaaaaaa') sndvanid('bbbbbbb' *sndvan) comment('my comment') editype(x u e) ediqua(associated qualifier) ediname('define alias 2') : ;</pre>	<pre> DEFCUSTALIAS function(a c d) ediid('id for alias 1') userid(userid) elmsep(X'xx' 'c') subelm(X'xx' 'c') segterm(X'xx' 'c') vfysnd(n y only) msgclass(# f 'aaaaaaaa') sndvanid('bbbbbbb' *sndvan) comment('my comment') ediid('id for alias 2') : ;</pre>

The following describes each command parameter:

function

The type of operation you want EDI VAN Interconnect to perform.

This value: Indicates:

- a** Add the following entries in the customization table. This is the default.
- c** Change the following entries in the customization table.
- d** Delete the following entries from the customization table.



NOTE: You can also type **add** for **a**, **change** for **c**, or **delete** for **d**.

editype

The EDI format associated with the interchange ID or interchange IDs that follow. This parameter is required unless you specify *ediid*.

This value: Indicates:

x	X12
u	UCS
e	EDIFACT

edigual

The EDI qualifier associated with the interchange ID or interchange IDs that follow. Use this parameter when you specify *editype* as X or optionally when you specify *editype* as E. You and your trading partner must agree on which ID qualifier you will use. The ID qualifiers are defined in the ANSI ASC X12 standards.

ediname

The interchange ID for which you want to define a customization table entry. Use 1 to 15 alphanumeric characters and enclose the string in single quotes.

ediid

This parameter may be used in place of *editype*, *edigual*, and *ediname*, and is mutually exclusive with these parameters.

For X12 documents, specify *ediid* as:

```
EDIID('ISA _qualifier_aliasname')
```

where *qualifier* is a valid X12 qualifier as described for *edigual*, and *aliasname* is a valid interchange ID as described for *ediname*. You must enter the underscores between ISA, *qualifier*, and *aliasname* as shown.

For UCS documents, specify *ediid* as:

```
EDIID('BG _aliasname')
```

where *aliasname* is a valid interchange ID, as described for *ediname*. You must enter the underscores between BG and *aliasname* as shown.

For EDIFACT documents, specify *ediid* as:

```
EDIID('UNB _aliasname_qualifier')
```

where *aliasname* is a valid interchange ID as described for *ediname*, and, optionally, *qualifier* is a valid qualifier as described for *edigual*. You must enter the underscores between UNB, *aliasname*, and *qualifier* (when specified) as shown.

If the value of *ediid* contains spaces or special characters, single quotes are required as shown above. Otherwise, single quotes are optional.

userid

This parameter contains the Information Exchange user ID. Use 1 to 8 alphanumeric characters. The default is your user ID.

elmsep, subelm, segterm

These parameters contain values that you specify to indicate the control character substitution on inbound files (valid for X12 EDI format only). They are element separator (elmsep), subelement separator (subelm), and segment terminator (segterm).

This value: Indicates:

- X' xx'** The hexadecimal representation of the character is xx. Enclose the value in single quotes.
- 'c'** The character representation is c, which is the character used for substitution. Enclose the value in single quotes.

vfysnd

This parameter contains a value that indicates whether you want EDI VAN Interconnect to verify that the non-Information Exchange trading partner is authorized to send files to this interchange ID.

This value: Indicates:

- n** No check is done to validate the trading partner relationship. This is the default.
- y** All trading partners must be authorized with EDI VAN Interconnect to allow access through EDI VAN Interconnect to the Information Exchange customer. See the *authacc* parameter of the DEFCUSTTP command.
- only** Only trading partners with a DEFCUSTTP definition with AUTHACC(N) specified are blocked. All other trading partners are allowed to send, even those without a DEFCUSTTP definition.

msgclass

This parameter contains a value that indicates the default user message class of inbound files for this alias. If you specify a user message class in the customization table entry for a trading fpartner using DEFCUSTTP, it overrides the user message class you specify here.

This value: Indicates the user message class is:

- #** For X12 data: #E2
For UCS data: #EC
For EDIFACT data: #EE
These are the defaults.
- f** For X12 data: XF *ddnnnn*
For UCS data: UF *ddnnnn*
For EDIFACT data: EF *ddnnnn*
- 'aaaaaaa'** User defined. Use a 1- to 8-character string and enclose the string in single quotes.

sndvanid

This parameter contains a value that tells EDI VAN Interconnect which xxMAIL user ID under the VANS account ID to use when sending inbound files to this interchange ID. This value must be a valid VAN ID. You may use this parameter when receiving files from VANs that do not use the Interconnect Mailbag standard when transmitting to EDI VAN Interconnect. For more information on valid VAN IDs, see Appendix C, “Communicating with other VANs.”

The default is ***sndvan**, which tells EDI VAN Interconnect to use the ID of the sending VAN when known. If it is not known, the default is INTERCON.

comment

This parameter contains a free-format comment area that you specify. This parameter string can contain 1 to 30 characters, and you must enclose it in single quotes.

; The semicolon indicates the end of the command.

Guideline for using the DEFCUSTALIAS command

When you use the DEFCUSTALIAS command, follow this guideline:

- Do not specify another *ediname* parameter unless the definition for the previous *ediname* parameter has been specified.

An example of a DEFCUSTALIAS command

The following is a sample customization table using the DEFCUSTALIAS command.

The examples define an Information Exchange user who has:

- An interchange ID of D123456789
- A qualifier of 01
- An Information Exchange user ID of MYMAIL
- A request that controls character substitution is done for all files received by EDI VAN Interconnect for this interchange ID
- A request not to verify the sender’s interchange ID
- A default message class of #E2
- The sending VAN’s user ID as TSMAIL

Sample output for the DEFCUSTALIAS command

EDI VAN Interconnect can generate the following output for the DEFCUSTALIAS commands shown above. This output is returned to you in a message with a user message class of CF *ddnnnn*.

Using editype, ediqua1, and ediname

```
EDI001I CUSTOMIZATION TABLE PROCESSED AT (00:00) ON (00/00/00)
EDI040I COMMAND 1 -- DEFCUSTALIAS
EDI041I ENTRY 1
EDI042I FUNCTION(ADD) EDITYPE(X) EDIQUAL(01) EDINAME('D123456789')
EDI029I THE CUSTOMIZATION TABLE ENTRY HAS BEEN ADDED
EDI099I CUSTOMIZATION TABLE PROCESSING COMPLETED
```

Using ediid

```
EDI001I CUSTOMIZATION TABLE PROCESSED AT (00:00) ON (00/00/00)
EDI040I COMMAND 1 -- DEFCUSTALIAS
EDI041I ENTRY 1
EDI043I FUNCTION(ADD) EDIID('ISA 01_D123456789')
EDI029I THE CUSTOMIZATION TABLE ENTRY HAS BEEN ADDED
EDI099I CUSTOMIZATION TABLE PROCESSING COMPLETED
```

DEFUSTTP–Define a trading partner

Use the DEFUSTTP command to further define inbound processing for a specific trading partner.

Also, use the DEFUSTTP command to add a new customization table entry, and to change or delete an existing customization table entry that describes your non- Information Exchange trading partners.

The syntax of the DEFUSTTP command is shown in the table below. As the table shows, there are two methods for using the DEFUSTTP command. You can either specify the *editype*, *ediqua*, and *ediname* parameters, or you can combine this information and specify only the *ediid* parameter. Both methods produce the same results. The ellipsis (...) indicates that you can list as many interchange IDs and definitions as necessary.

Using editype, ediqua, and ediname	Using ediid
<pre>DEFUSTTP function(a c d) editype(x u e) ediqua(associated qualifier) ediname('define trading partner 1') userid(userid) authacc(y n) msgclass(# f 'aaaaaaaa') vanid('bbbbbbbb') comment('my comment') editype(x u e) ediqua(associated qualifier) ediname('define trading partner 2') : : ;</pre>	<pre>DEFUSTTP function(a c d) ediid('id for trading partner 1') userid(userid) authacc(y n) msgclass(# f 'aaaaaaaa') vanid('bbbbbbbb') comment('my comment') ediid('id for trading partner 2') : ;</pre>

The following describes each command parameter:

function

The type of operation you want EDI VAN Interconnect to perform.

This value: Indicates:

- a** Add the following entries in the customization table.
- c** Change the following entries in the customization table.
- d** Delete the following entries from the customization table.



NOTE: You can also type **add** for **a**, **change** for **c**, or **delete** for **d**.

editype

The EDI format associated with the interchange ID or interchange IDs that follow. This parameter is required unless you specify *ediid*.

This value: Indicates this EDI format:

x	X12
u	UCS
e	EDIFACT

ediqua

The EDI qualifier associated with the interchange ID or interchange IDs that follow. Use this parameter when you specify *editype* as X or optionally when you specify *editype* as E. You and your trading partner must agree on which ID qualifier you will use. The ID qualifiers are defined in the ANSI ASC X12 standards.

ediname

This required parameter contains the interchange ID of the trading partner whom you want to define in the customization table entry. Use 1 to 35 alphanumeric characters and enclose the string in single quotes.

ediid

This parameter may be used in place of *editype*, *ediqua*, and *ediname*, and is mutually exclusive with these parameters.

For X12 documents, specify *ediid* as:

```
EDIID('ISA _qualifier _aliasname')
```

where *qualifier* is a valid X12 qualifier as described for *ediqua*, and *aliasname* is a valid interchange ID, as described for *ediname*. You must enter the underscores between ISA, *qualifier*, and *aliasname* as shown.

For UCS documents, specify *ediid* as:

```
EDIID('BG _aliasname')
```

where *aliasname* is a valid interchange ID, as described for *ediname*. You must enter the underscore between BG and *aliasname* as shown.

For EDIFACT documents, specify *ediid* as:

```
EDIID('UNB _aliasname _qualifier')
```

where *aliasname* is a valid interchange ID as described for *ediname*, and, optionally, *qualifier* is a valid qualifier as described for *ediqua*. You must enter the underscores between UNB, *aliasname*, and *qualifier* (when specified) as shown.

If the value of *ediid* contains spaces or special characters, single quotes are required as shown above. Otherwise, single quotes are optional.

userid

This parameter contains the Information Exchange user ID. Use 1 to 8 alphanumeric characters. The default is your user ID.

authacc

This parameter contains the authorization status of the non-Information Exchange trading partner. See the `vfysnd` parameter of the `DEFUSTALIAS` command for more information.

This value: Indicates:

- y** This trading partner is authorized access to the Information Exchange customer. This is the default.
- n** This trading partner is not authorized access to the Information Exchange customer.

msgclass

This parameter contains a value that indicates the user message class associated with this trading partner's interchange ID. This indicates the user message class of inbound files sent from this trading partner. This value, if supplied, overrides any user message class specified in a `DEFUSTALIAS` entry.

This value: Indicates the user message class is:

- #** For X12 data: #E2
For UCS data: #EC
For EDIFACT data: #EE
These are the defaults.
- f** For X12 data: XF *ddnnnn*
For UCS data: UF *ddnnnn*
For EDIFACT data: EF *ddnnnn*
- 'aaaaaaa'** User defined. Use a 1- to 8-character string and enclose the string in single quotes.

vanid This parameter contains a value that tells EDI VAN Interconnect which xxMAIL user ID under the VANS account ID the trading partner must use when sending inbound files to this interchange ID. This value must be a valid VAN ID. For more information on valid VAN IDs, see Appendix C, “Communicating with other VANs.”

If this parameter is set, files received from the trading partner are blocked if they originate from a VAN other than the one specified.

comment

This parameter contains a free-format comment area that you specify. This parameter string can contain 1 to 50 characters, and you must enclose it in single quotes.

;
The semicolon indicates the end of the command.

Guideline for using the DEFUSTTP command

When you use the `DEFUSTTP` command, follow this guideline:

- Do not specify another *ediname* parameter unless the definition for the previous *ediname* parameter has been specified.

An example of a DEFUSTTP command

The following is a sample customization table using the DEFUSTTP command. This example changes the existing customization table entry to define:

- An X12 trading partner with an interchange ID of ACC32451637
- A qualifier of 01
- A request that if the trading partner sends messages to an interchange ID defined with a value of *y* in the *vfysnd* parameter of the DEFUSTALIAS command, then this interchange ID is permitted to exchange messages
- A request that if the trading partner sends messages to this Information Exchange user, EDI VAN Interconnect should send the messages to the Information Exchange user's mailbox with a user message class of MYCLASS1.

Using <i>editype</i> , <i>ediqual</i> , and <i>ediname</i>	Using <i>ediid</i>
DEFUSTTP	DEFUSTTP
function(c)	function(c)
editype(x)	
ediqual(01)	
ediname('acc32451637')	ediid('isa_01_acc32451637')
authacc(y)	authacc(y)
msgclass('MYCLASS1')	msgclass('MYCLASS1')
;	;

Sample output for the DEFUSTTP command

EDI VAN Interconnect can generate the following output for the DEFUSTTP commands shown above. This output is returned to you in a message with a user message class of CF *ddmnn*.

Using editype, ediqua, and ediname

```

EDI001I  CUSTOMIZATION TABLE PROCESSED AT (00:00) ON (00/00/00)
EDI040I  COMMAND I -- DEFCUSTTP
EDI041I  ENTRY 1
EDI042I  FUNCTION(CHANGE) EDITYPE(X) EDIQUAL(01) EDINAME('ACC32451637')
EDI029I  THE CUSTOMIZATION TABLE ENTRY HAS BEEN CHANGED
EDI099I  CUSTOMIZATION TABLE PROCESSING COMPLETE

```

Using ediid

```

EDI001I  CUSTOMIZATION TABLE PROCESSED AT (00:00) ON (00/00/00)
EDI040I  COMMAND I -- DEFCUSTTP
EDI041I  ENTRY 1
EDI042I  FUNCTION(CHANGE) EDIID('ISA_01_ACC32451637')
EDI029I  THE CUSTOMIZATION TABLE ENTRY HAS BEEN CHANGED
EDI099I  CUSTOMIZATION TABLE PROCESSING COMPLETE

```

REQCUSTTBL—Request a customization table

Use the REQCUSTTBL command to send to your mailbox the customization table entries that currently exist for an Information Exchange account ID and user ID.

The syntax for the REQCUSTTBL command is:

Using editype, ediqua, and ediname	Using ediid
<pre> REQCUSTTBL editype(x u e) ediqua(associated qualifier) ediname('alias or trading partner ID 1') userid(userid *all) msgclass(c 'aaaaaaaa') editype(x u e) ediqua(associated qualifier) ediname('alias or trading partner ID 2') : ;</pre>	<pre> REQCUSTTBL ediid('full or partial alias or trading partner ID 1') userid(userid *all) msgclass(c 'aaaaaaaa') ediid('full or partial alias or trading partner ID 2') : ;</pre>

The following describes each command parameter:

editype

This parameter contains a value that indicates the EDI format type describing the interchange ID name.

This value: Indicates this EDI format:

x	X12
u	UCS
e	EDIFACT

If you omit this parameter, EDI VAN Interconnect places a copy of all customization table entries for each EDI table type and qualifier in your mailbox. This is the default. You must use this parameter if you specify *ediname*.

edigual

This parameter contains an EDI qualifier associated with the interchange ID and the *editype* parameter. You must use this parameter when *editype* is X.

If you omit this parameter, EDI VAN Interconnect formats customization table entries for all qualifiers associated with the specified EDI type. This is the default.

EDI VAN Interconnect ignores this parameter if you omit the *editype* parameter.

ediname

This parameter contains the interchange ID for which you want to request customization table entries. Use 1 to 35 alphanumeric characters and enclose the string in single quotes.

ediid

This parameter may be used in place of *editype*, *edigual*, and *ediname*, and is mutually exclusive with these parameters.

For the REQCUSTTBL command, you may specify a full or partial value for this parameter. If you specify a full value, EDI VAN Interconnect returns the customization table information for a single alias or trading partner. If you specify a partial value, EDI VAN Interconnect returns the entries for all aliases and trading partners matching the specified value.

For X12 documents, specify *ediid* as:

```
EDIID('ISA _qualifier _aliasname')
```

where *qualifier* is a valid X12 qualifier as described for *edigual*, and *aliasname* is a valid interchange ID, as described for *ediname*. You must enter the underscores between *ISA*, *qualifier*, and *aliasname* as shown.

For UCS documents, specify *ediid* as:

```
EDIID('BG _aliasname')
```

where *aliasname* is a valid interchange ID, as described for *ediname*. You must enter the underscores between *BG* and *aliasname* as shown.

For EDIFACT documents, specify *ediid* as:

```
EDIID('UNB _aliasname _qualifier')
```

where *aliasname* is a valid interchange ID as described for *ediname*, and, optionally, *qualifier* is a valid qualifier as described for *edigual*. You must enter the underscores between *UNB*, *aliasname*, and *qualifier* (when specified) as shown.

If the value of *ediid* contains spaces or special characters, single quotes are required as shown above. Otherwise, single quotes are optional.

userid

This parameter contains the Information Exchange user ID associated with the customization table entry. You can indicate a specific user ID or you can place a value of ***all** in this parameter. When you indicate a specific user ID, EDI VAN Interconnect returns all the customization table entries for that user ID. When you indicate ***all**, EDI VAN Interconnect returns all the customization tables for the entire account.

Use 1 to 8 alphanumeric characters to specify a user ID. The default is your user ID.

msgclass

This parameter contains a value that indicates the message class of the resulting customization table file that EDI VAN Interconnect places in your mailbox.

This value: Indicates the message class is:

c CUSTABLE. This is the default.

'aaaaaaaa' User defined. Use 1 to 8 characters and enclose the string in quotes.

; The semicolon indicates the end of the command

An example of a REQCUSTTBL command

The following is an example of a valid REQCUSTTBL command in a customization table file. This example returns to the requesting user ID USER02 a file containing all the customization table entries for user ID USER02, and X12 interchange ID with a qualifier of 01. The message class of this file is CUSTABLE.



NOTE: The format of the customization table entries is given to you in a format you can resubmit.

Using editype, ediqua1, and ediname	Using ediid
REQCUSTTBL	REQCUSTTBL
editype(x)	
ediqua1(01)	ediid(ISA_01)
userid(user02)	userid(user02)
msgclass(c)	msgclass(c)
;	;

Sample output for the REQCUSTTBL command

After EDI VAN Interconnect processes the REQCUSTTBL command, EDI VAN Interconnect returns two output files to the requesting user ID.

The first file contains a copy of the customization table entries that exist for your account ID and the user ID you specified in the REQCUSTTBL command. If you did not specify a user ID, the output file contains the table entry for the requesting user ID only.

In this file, all user ID information is in the format of the DEFCUSTALIAS and DEFCUSTTP commands and their associated parameters. The parameters or commands can be modified for each user ID, and the table can be resent to EDI VAN Interconnect. The file has a message class of CUSTABLE.

For more information, see “DEFCUSTALIAS–Define an interchange ID” and “DEFCUSTTP–Define a trading partner”.

The following is a sample of the first file:

```

DEFCUSTALIAS FUNCTION(C)
  EDITYPE(X) EDIQUAL(01) EDINAME('MYINTERCHANGEID')
  USERID(USER02) ELMSEP(X'7C') SUBELM(X'7C') SEGTERM(X'7B')
  VFYSND(Y) MSGCLASS('SNDCLASS')
  SNDVANID(GEMAIL) COMMENT('X12 INBOUND')
;
DEFCUSTTP FUNCTION(C)
  EDITYPE(X) EDIQUAL(01) EDINAME('MYTPINTERCHANGE')
  USERID(USER02) AUTHACC(Y) MSGCLASS('USERCLS')
  COMMENT('TRADING PARTNER 1')
;

```

The second file is output EDI VAN Interconnect can generate for the REQCUSTTBL command. This output is returned to you in a message with a user message class of CF *ddnnnn*.

Using editype, edigual, and ediname

```

EDI040I  COMMAND 1 -- REQCUSTTBL
EDI041I  ENTRY 1
EDI043I  FUNCTION (REQUEST) EDITYPE(X) EDIQUAL(01)
EDI032I  CUSTOMIZATION TABLE REQUEST COMPLETE; ENTRIES FOUND: 2
EDI099I  CUSTOMIZATION TABLE PROCESSING COMPLETE

```

Using ediid

```

EDI040I  COMMAND 1 -- REQCUSTTBL
EDI041I  ENTRY 1
EDI043I  FUNCTION(REQUEST) EDIID('ISA_01')
EDI032I  CUSTOMIZATION TABLE REQUEST COMPLETE; ENTRIES FOUND: 2
EDI099I  CUSTOMIZATION TABLE PROCESSING COMPLETE

```

Retaining your customization table information

EDI VAN Interconnect processes your customization table entries and returns a message to you with an item-by-item indication of the status of each entry. It is your responsibility to correct any items that are flagged as errors and to resubmit them.

If you want to add, change, or delete any items in the customization table, do not resend all the entries to EDI VAN Interconnect. Submit or delete only those entries that apply.

Sending and receiving messages

This chapter explains how EDI VAN Interconnect handles messages. It describes how X12, UCS, and EDIFACT messages are validated, and tells what happens to messages that EDI VAN Interconnect rejects.

Sending messages to EDI VAN Interconnect

To send messages to EDI VAN Interconnect, you can use one of the Information Exchange interface software programs or services. These include:

- Expedite Base/AIX
- Expedite Base/DOS
- Expedite Base for Windows
- Expedite Base/MVS
- Expedite Base/400
- Expedite Base/2
- Expedite/CICS
- Expedite/Direct
- Expedite for Windows

Send messages to EDI VAN Interconnect using the same method as you would to send data to Information Exchange. This method depends on the particular Information Exchange interface software program or service you are using. This often means using a command, such as a SEND command or a SENDEDI command. For more information, consult the manual appropriate for your product.

Resolving mailbox destinations

Mailbox destinations are resolved according to the command you are using and the type of message you are sending. When you use an Information Exchange interface software program SEND command, you provide mailbox destination information such as the Information Exchange alias, alias name, nickname, or account ID and user ID of the trading partner to whom you are sending the message.

When you use an Information Exchange interface software program SENDEDI command, you do not provide trading partner information such as an Information Exchange account ID and Information Exchange user ID. Instead, the SENDEDI command refers to the data in the qualifier, destination, and alias tables to enable Information Exchange to resolve the mailbox destination of your trading partner. The qualifier, destination, and alias tables contain EDI-specific information that you provide about each of your trading partners. For more information on these tables, see the manual appropriate for your Information Exchange interface software.

Processing and validating messages

This section explains how the EDI messages sent to EDI VAN Interconnect are processed and validated.

If you are unfamiliar with the field names in EDI envelope headers, trailers, and acknowledgment records, read Appendix B, “Formatting EDI envelopes.”

Validating X12 messages

EDI VAN Interconnect performs the following validations on X12-formatted documents sent to or from your trading partners:

- X12 documents must contain ISA headers and IEA trailers. All elements in headers and trailers must conform to the size and format specified in the ANSI standard. The control number in an ISA header (ISA13) must match the control number in the corresponding IEA trailer (IEA02).

If you send a document containing an error, EDI VAN Interconnect returns a message stating the reason your document is rejected. If a trading partner sends a document with an error, GXS Community Support attempt to follow up with the other VAN.

- EDI VAN Interconnect routes inbound X12 messages sent by a trading partner to the Information Exchange account ID and user ID in the associated DEFCUSTALIAS command.
- For inbound X12 messages, when the verify sender (*vfysnd*) parameter of the DEFCUSTALIAS entry is set to yes (y) or only, EDI VAN Interconnect checks the DEFCUSTTP entry for the message sender.

When the DEFCUSTALIAS parameter *vfysnd* is set to yes (y), if you have not defined a DEFCUSTTP entry for the message sender, or if you have set the DEFCUSTTP parameter *authacc* to no (n), EDI VAN Interconnect rejects the inbound document.

When the DEFCUSTALIAS parameter *vfysnd* is set to only, if you have defined a DEFCUSTTP entry for the message sender and set the DEFCUSTTP parameter *authacc* to no (n), EDI VAN Interconnect rejects the inbound document.



NOTE: For more information, see “Formatting X12 envelopes” .

Validating UCS messages

EDI VAN Interconnect performs the following validations on UCS-formatted documents sent to or from your trading partners:

- UCS messages must contain BG headers and EG trailers. All elements in headers and trailers must conform to the size and format specified in the UCS standard. The control number in a BG header (BG07) must match the control number in the corresponding trailer (EG01).

If you send a document containing an error, EDI VAN Interconnect returns a message stating the reason your document is rejected. If a trading partner sends a document with an error, GX S Community Support attempt to follow up with the other VAN.

- EDI VAN Interconnect routes an inbound UCS message sent by your trading partner to the Information Exchange account ID and user ID in the associated DEFCUSTALIAS command.

EDI VAN Interconnect first checks the UCS password (BG02) for a matching DEFCUSTALIAS entry. If no entry is found, EDI VAN Interconnect checks the receiver's CD (BG04).

- For inbound UCS messages, when the verify sender (*vfysnd*) parameter of the DEFCUSTALIAS entry is set to yes (y) or only, EDI VAN Interconnect checks the DEFCUSTTTP entry for the message sender.

When the DEFCUSTALIAS parameter *vfysnd* is set to yes (y), if you have not defined a DEFCUSTTTP entry for the message sender, or if you have set the DEFCUSTTTP parameter *authacc* to no (n), EDI VAN Interconnect rejects the inbound document.

When the DEFCUSTALIAS parameter *vfysnd* is set to only, if you have defined a DEFCUSTTTP entry for the message sender and set the DEFCUSTTTP parameter *authacc* to no (n), EDI VAN Interconnect rejects the inbound document.



NOTE: For more information, see “Formatting UCS envelopes”.

Validating EDIFACT messages

EDI VAN Interconnect performs the following validations on EDIFACT-formatted documents sent to or from your trading partners:

- EDIFACT messages must contain either the UNA and UNB header combinations or the UNB headers alone, and UNZ trailers. All elements in headers and trailers must conform to the size and format specified in the EDIFACT standard. The interchange control reference (data element 0020) in the UNB header segment must match the interchange control reference (data element 0020) in the UNZ segment.

If you send a document containing an error, EDI VAN Interconnect returns a message stating the reason your document is rejected. If a trading partner sends a document with an error, GX S Community Support attempt to follow up with the other VAN.

- EDI VAN Interconnect routes an inbound EDIFACT message sent by your trading partner to the Information Exchange account ID and user ID in the associated DEFCUSTALIAS command.

- For inbound EDIFACT messages, when the verify sender (*vfysnd*) parameter of the DEFCUSTALIAS entry is set to yes (y) only, EDI VAN Interconnect checks the DEFCUSTTP entry for the message sender.

When the DEFCUSTALIAS parameter *vfysnd* is set to yes (y), if you have not defined a DEFCUSTTP entry for the message sender, or if you have set the DEFCUSTTP parameter *authacc* to no (n), EDI VAN Interconnect rejects the inbound document.

When the DEFCUSTALIAS parameter *vfysnd* is set to only, if you have defined a DEFCUSTTP entry for the message sender and set the DEFCUSTTP parameter *authacc* to no (n), EDI VAN Interconnect rejects the inbound document.



NOTE: For more information, see “Formatting EDIFACT envelopes”.

Receiving messages from EDI VAN Interconnect

When EDI VAN Interconnect sends a message to you from a VAN, the sending Information Exchange system is ADV and the sending Information Exchange account is VANS. Other values, such as the sending Information Exchange user and Information Exchange user message class, depend on the customization table options you have specified, if any.

Default processing of messages

EDI VAN Interconnect performs default processing when you issue a DEFCUSTALIAS command without specifying special processing options. This section describes how EDI VAN Interconnect performs default processing on messages you receive from a VAN.

- If the sending VAN is known, the sending Information Exchange user ID is xxMAIL, where xx is a two-character VAN ID. If the sending VAN is not known, the sending Information Exchange user ID is INTERCON.
- The Information Exchange user message class is #E2 for X12 messages, #EC for UCS messages, and #EE for EDIFACT messages.
- No substitution of segment terminators or element or subelement separators is performed for X12 messages.

Special processing of messages

EDI VAN Interconnect performs special processing when you issue a DEFCUSTALIAS command with special processing options for the receiving interchange ID. This section describes how EDI VAN Interconnect may perform special processing, depending on the options you specify.

- If you specify the DEFCUSTALIAS parameter *sndvanid*, EDI VAN Interconnect sets the sending Information Exchange user ID as indicated.
- If you specify the DEFCUSTALIAS parameters *elemsep*, *subelm*, or *segterm*, EDI VAN Interconnect performs the indicated character substitutions for X12 messages.

- As described in “Validating X12 messages”, “Validating UCS messages”, and “Validating EDIFACT messages”, if you specify a value of yes for the DEFCUSTALIAS parameter *vfysnd*, EDI VAN Interconnect delivers the message if:
 - There is a DEFCUSTTP entry for the sending interchange ID, and
 - The DEFCUSTTP parameter *authacc* has the value **y**
- As described in “Validating X12 messages”, “Validating UCS messages”, and “Validating EDIFACT messages”, if you specify a value of only for the DEFCUSTALIAS parameter *vfysnd*, EDI VAN Interconnect delivers the message if:
 - There is no DEFCUSTTP entry for the sending interchange ID, or
 - There is a DEFCUSTTP entry for the sending interchange ID, and the parameter *authacc* has the value **y**.
- If there is a DEFCUSTTP entry for the sending interchange ID, and the parameter *vanid* is set to indicate a particular VAN, EDI VAN Interconnect delivers the message only if sending VAN is the one specified.

User message classes

Inbound messages that EDI VAN Interconnect places in your Information Exchange mailbox can have the following Information Exchange user message classes:

This class:	Contains these messages:
#E2	X12 data messages (DEFAULT)
XFddnnnn	X12 data messages
#EC	UCS data messages (DEFAULT)
UFddnnnn	UCS data messages.
#EE	EDIFACT data messages (DEFAULT)
EFddnnnn	EDIFACT data messages.
FFMSG001	EDI VAN Interconnect response messages (free format)
CUSTABLE	Customization table commands.
CFddnnnn	Customization table responses.

Handling rejected outbound messages

If an Information Exchange user sends a document to EDI VAN Interconnect and an error is detected, EDI VAN Interconnect attempts to notify the sender of the rejected message. For the format of the interconnect message notification, see Appendix A, “EDI VAN Interconnect messages.”

Several verifications are performed on every message received by EDI VAN Interconnect to ensure proper handling of the message. If an error is detected in a message, the message is deleted from EDI VAN Interconnect, and an error message is returned to the sender. It is the sender’s responsibility to correct the error and resubmit the message.

Any response that EDI VAN Interconnect generates for outbound data is sent from an account ID of VANS and a user ID of xxMAIL corresponding to the receiving VAN’s Information Exchange mailbox. This applies to both customization table responses and responses sent as a result of rejected outbound data.

Reading X12 error messages

This section describes how rejected X12 messages are handled, and shows examples of free-formatted and formatted X12 error messages.

Reading formatted X12 error messages

If the interchange acknowledgment field of a message that is received in error contains the value 1, EDI VAN Interconnect returns an X12 interchange acknowledgment to the sender of the message. This message is composed of an ISA interchange header, TA1 interchange acknowledgments, and an IEA interchange trailer that conforms to the ANSI proposed standards format.

The rejection message is sent as a normal X12 message with user message class #E2, unless overridden by a customization table entry.

The following is an example of an X12 interchange acknowledgment that is returned to the sender in response to a message that EDI VAN Interconnect received with an error.

```
ISA*00*          *00*          *ZZ*VANS  xxMAIL*aa*bbbbbbbbbbbbbbb*
931217*1546*U*02000*999999999*0*P**;
TA1*123456789*931217*1546*R#001;
IEA*00001*999999999;
```

Information found within the message example includes the following:

- The identification of the EDI VAN Interconnect mailbox is placed in the interchange sender ID (field ISA06) of the X12 header.

The original message was sent to an account ID of VANS and a user ID of xxMAIL.

- The identification of the original sender of the message is placed in the interchange receiver ID (field ISA08) of the X12 header.

The qualifier from the original interchange is aa. The original message is from an interchange ID of bbbbbbbbbbbbbbb.

- The interchange acknowledgment note code (field TA105) of the TA1 X12 interchange acknowledgment contains a code to describe an explanation of the error.
- The TA1 record (in the example, code 001) indicates that the control number value in the ISA message header of the original message does not match the control number value in the IEA message trailer. For more information on the TA1 record, see “Reading X12 acknowledgment notes.”

Reading X12 acknowledgment notes

The following are the codes and definitions that are placed in the interchange acknowledgment note code (field TA105) of the TA1 section of the X12 message returned to the sender. These codes are taken from the ANSI X12 proposed standards.

This code:	Has this meaning:
001	The interchange control numbers in the header and the trailer do not match. The value from the header is used in the acknowledgment
005	An incorrect ID qualifier for sender.
006	An incorrect sender ID.
007	An incorrect ID qualifier for receiver.
008	An incorrect receiver ID.
014	An invalid interchange date value.
015	An invalid interchange time value.
016	An invalid interchange standards identifier value
017	An invalid interchange version ID value.
018	An invalid interchange control number value.
019	An invalid acknowledgment requested value.
020	An invalid test indicator value.

Reading free-formatted X12 error messages

You can format X12 messages with a code in the interchange acknowledgment (field ISA14) within the ISA header to request an interchange acknowledgment from the receiver of the message. If this field does not contain the value **1** within a message that is found in error, EDI VAN Interconnect returns a free-formatted message to the original sender of the message.

EDI VAN Interconnect sends the rejection message in user message class FFMSG001.

The following is an example of a free-formatted X12 error message.

```
EDI008E REJECTED X12 MESSAGE 123456789 AT 08:55:36 ON 12/17/98,
REASON: XXXXX ***
```

The following list explains the different parts of the message text example.

This part:	Represents:
123456789	The control number found in the ISA header.
08:55:36	The time the message was processed.
12/17/98	The date the message was processed.
REASON:	The reason the message was rejected.

Reasons for message rejection are explained in Appendix A, “EDI VAN Interconnect messages.”

Reading UCS error messages

UCS messages that EDI VAN Interconnect receives with errors from an Information Exchange user have a UCS-formatted message returned to them.

The rejection message is sent as a normal UCS message with user message class #EC, unless overridden by a customization table entry.

The following is an example of a UCS error message:

```
BG*INTERCON *sndcommid *8008747025 *sndid *930922*0532**99999
GS*AG*sndid *rcvid *930922*0532*00011 *T *G2/3
ST*999*00011001
B5*999*000000*000000*00011
A1*BG commid pswd *BG03 *sndid *F
SE*000004*00011001
GE*000001*00011
EG*99999*00001*000001*000004
```

In a UCS error message, an A1 record indicates the error condition. There can be several A1 records contained within the error message if more than one error is detected by EDI VAN Interconnect. The following lists possible A1 record values and their meanings.

This A1 value:	Indicates this error:
EG00	The trailer record was not found.

This A1 value:	Indicates this error:
EG01	The control number taken from the trailer record does not match the control number in the header record.

Reading EDIFACT error messages

EDIFACT messages that are received with errors from an Information Exchange user have a free-formatted message returned to the original sender of the message. The rejection message is sent in user message class FFMSG001.

The following is an example of an EDIFACT error:

```
EDI026E REJECTED EDIFACT MESSAGE 12345678901234 at 8:55:36 ON
04/02/98** REASON: XXXXX ***
```

The following list explains the different parts of the message text example.

This part:	Represents:
12345678901234	The interchange reference control number found in the UNB header.
08:55:36	The time the message was processed.
04/02/98	The date the message was processed.
REASON:	The reason the message was rejected. Descriptions for message rejection are explained in Appendix A, “EDI VAN Interconnect messages.”

EDI VAN Interconnect messages

This appendix shows the format of messages generated by EDI VAN Interconnect. It gives an explanation of each message, the action taken by the system, and what you should do in response.

Message syntax

Messages received from EDI VAN Interconnect are in the format:

EDI *NNN*

Where:

EDI	Identifies this as an EDI VAN Interconnect message.
NNN	This is the unique, 3-digit message number. Messages intended for users are in the range 000 through 099.
L	This is the error level. This indicates the severity of the situation to which the message refers:

This value:	Indicates this type of message:
--------------------	--

I	For information only(not an error).
W	Warning (not necessarily an error).
X	Minor error.
E	Serious error.

Reason codes

EDI VAN Interconnect system messages can contain a reason code. Below is a list of the codes and their meanings.

This reason code:	Indicates:
00001	The interchange control number of the header does not match the interchange control number of the trailer within the message.
00002	The trailer record could not be located in the data or it did not comply with EDI standards.
00016	The data being processed by EDI VAN Interconnect is not recognizable as X12, UCS, or EDIFACT data.
00032	The interchange sender ID is not registered to your account on EDI VAN Interconnect.
00064	During an update to the customization table, an entry was processed with an error. See the response for the customization table update sent by EDI VAN Interconnect for the exact information.

Messages and codes

The following are EDI VAN Interconnect messages and codes.

EDI001I **CUSTOMIZATION TABLE PROCESSED AT (time) ON (date)**

Explanation: The customization table was processed.

User Response: None.

System Action: The message is returned to the sender of the customization table message.

EDI008E **REJECTED X12 MESSAGE (control number) AT (time) ON (date) - REASON:**
xxxxx

Explanation: An X12 message was rejected by EDI VAN Interconnect for the reason code xxxxx. For an explanation of xxxxx, see “Reason codes”.

User Response: Correct the data and retransmit.

System Action: This message is returned to the sender of the X12 message.

EDI010E **REJECTED UCS MESSAGE (control number) AT (time) ON (date) -**
REASON: xxxxx

Explanation: The message is rejected by EDI VAN Interconnect for the reason code xxxxx. For an explanation of xxxxx, see “Reason codes”.

User Response: Correct the data and retransmit.

System Action: This message is returned to the sender of the UCS message.

EDI022E **REJECTED UNKNOWN-TYPE MESSAGE AT (time) on (date), REASON:**
xxxxx, (OUTBOUND)

Explanation: An outbound message was rejected by EDI VAN Interconnect, because the data was not a recognized data format. For an explanation of xxxxx, see “Reason codes”.

User Response: Correct the data and retransmit.

System Action: This message is returned to the sender of the data.

EDI026E **REJECTED EDIFACT MESSAGE (control number) AT (time) ON (date) -**
REASON: xxxxx

Explanation: An EDIFACT message was rejected by EDI VAN Interconnect for the reason code xxxxx. For an explanation of xxxxx, see “Reason codes”.

User Response: Correct the data and retransmit.

System Action: This message is returned to the sender of the EDIFACT message.

EDI029I **THE CUSTOMIZATION TABLE ENTRY HAS BEEN ADDED**

Explanation: This message indicates that the request to add a customization entry has been completed.

User Response: None

System Action: This message is returned to the sender of the customization entry.

EDI030I THE CUSTOMIZATION TABLE ENTRY HAS BEEN CHANGED

Explanation: This message indicates that the request to change a customization entry has been completed.

User Response: None

System Action: This message is returned to the sender of the customization entry.

EDI031I THE CUSTOMIZATION TABLE ENTRY HAS BEEN DELETED

Explanation: This message indicates that the request to delete a customization entry has been completed.

User Response: None

System Action: This message is returned to the sender of the customization entry.

EDI032I CUSTOMIZATION TABLE REQUEST COMPLETE; ENTRIES FOUND: *nn*

Explanation: This message indicates the number of entries retrieved from the request customization table command that have been processed.

User Response: None.

System Action: This message is returned to the sender of the customization table.

EDI034E NO CUSTOMIZATION TABLE ENTRY FOUND FOR CHANGE REQUEST

Explanation: This message indicates that the request to change a customization entry has failed. There is no matching customization entry in the table.

User Response: Verify that the specified interchange ID is correct.

System Action: This message is returned to the sender of the customization entry.

EDI036E UNABLE TO PROCESS REQUEST. UNEXPECTED ERROR HAS OCCURRED

Explanation: This message indicates that a customization table request has failed. This was caused by an unexpected system error.

User Response: Verify that the command is correct. Send the request again. If the error persists, contact GXS Community Support.

System Action: This message is returned to the sender of the customization entry. No update is made for this entry.

EDI037E NO CUSTOMIZATION TABLE ENTRY FOUND FOR DELETE REQUEST

Explanation: This message indicates that a customization table delete request has failed. The entry was not found in the customization table.

User Response: Verify that the ediname parameter value is correct.

System Action: This message is returned to the sender of the customization entry.

EDI038E ADD REQUEST FAILED. *mmmmmmmm* ALREADY EXISTS *nnnnnnnn*

Explanation: This message indicates that an add request was rejected because a previously defined alias or trading partner was specified in the values of EDIID, EDITYPE, EDIQUAL, or EDINAME. This message may result from sending a duplicate request or because another user is using the identifier specified in the add request.

User Response: A previous message, either EDI042I or EDI043I, identifies the duplicate entry. If the entry is owned by another account, choose a different identifier. If the entry is owned by a user within your account, resolve identifier duplications within your organization.

System Action: This message is returned to the sender of the customization table command.

EDI040I COMMAND *nnnnn* - *xxxxxxx*

Explanation: EDI VAN Interconnect recognized a new customization table command, where *nnnnn* is the sequence number of the command in the file sent to EDI VAN Interconnect, and *xxxxxxx* is the DEFCUSTALIAS, DEFCUSTTP, or REQCUSTTBL command. This message is followed by additional messages describing the results of the command entry processed.

User Response: Review the messages following this to ensure that EDI VAN Interconnect processed the command successfully.

System Action: This message is sent to the sender of the customization table command.

EDI041I ENTRY *nnnnn*

Explanation: EDI VAN Interconnect recognized a new entry within a customization table command, where *nnnnn* is the sequence number of the entry within the command. The previous EDI message identifies the command. Other messages follow this one and describe the results of processing the entry.

User Response: Review the messages following this one to ensure that EDI VAN Interconnect processed the entry successfully.

System Action: This message is sent to the sender of the customization table command.

EDI042I FUNCTION(*ffff*) EDITYPE(*t*) EDIQUAL(*qq*) EDINAME(
nnnnnnnnnnnnnnnnnnnnnnnnnnnnnn)

Explanation: EDI VAN Interconnect is about to process an entry within a customization table command. This message follows message EDI041I and describes the function to be performed and the interchange ID associated with the entry.

This message appears when you use **editype**, **edigual**, and **ediname** to specify the interchange ID.

User Response: Review the messages following EDI042I to make sure EDI VAN Interconnect processed the entry successfully.

System Action: This message is returned to the sender of the customization table command.

EDI043I FUNCTION(*ffff*) EDIID(*iiiiiiiiiiiiiiiiiiii*)

Explanation: EDI VAN Interconnect is about to process an entry within a customization table command. This message follows message EDI041I and describes the function to be performed and the interchange ID associated with the entry.

This message appears when you use **ediid** to specify the interchange ID.

User Response: Review the messages following EDI042I to make sure EDI VAN Interconnect processed the entry successfully.

System Action: This message is returned to the sender of the customization table command.

EDI050E SYNTAX ERROR - mmmmm . . . mmmmm

Explanation: EDI VAN Interconnect encountered a syntax error, preventing it from processing your customization table command, where *mmmmm . . . mmmmm* explains the syntax error. A series of EDI051I messages describe the type of syntax error.

User Response: Check the file containing your customization table commands to ensure that commands and parameters are spelled correctly and are separated by a space, and that values are enclosed by parentheses and by single quotes when necessary. Resend the file after making your changes.

System Action: This message is sent to the sender of the customization table command file.

EDI051I INVALID OR UNEXPECTED COMMAND OR PARAMETER IGNORED - 'xxx . . . xxx'

Explanation: EDI VAN Interconnect found an invalid or extraneous command or parameter while searching for the next command in your customization table command file, where 'xxx . . . xxx' identifies the command or parameter.

User Response: Check the customization table command file. Verify that commands are spelled correctly or that parameters are preceded by a command.

System Action: This message is sent to the sender of the customization table command file. EDI VAN Interconnect continues to process the command file, searching for the next valid command.

EDI052E PARAMETER ERROR - 'xxx . . . xxx'

Explanation: EDI VAN Interconnect found an error while processing the command and entry indicated by messages EDI040I and EDI041I, where 'xxx . . . xxx' describes the parameter, its value, and the reason for the error.

User Response: Correct the parameter in the customization table command file and send a new customization table command file containing the correction for this entry.

System Action: This message is sent to the sender of the customization table command file. EDI VAN Interconnect continues to process the command file, starting with the next entry.

EDI053E INVALID CUSTOMIZATION TABLE USER MESSAGE CLASS - 'xxxxxxxx'

Explanation: The customization table was sent with an invalid user message.

User Response: Correct the user message class and resend the customization table.

System Action: The customization table sent with the invalid message class is ignored.

EDI099I CUSTOMIZATION TABLE PROCESSING COMPLETE

Explanation: EDI VAN Interconnect completed processing of the customization table entries.

User Response: None.

System Action: This message is sent to the sender of the customization table command file.

Formatting EDI envelopes

This appendix describes the formats of the header and trailer records for X12, UCS, and EDIFACT envelopes. It also shows the format of the X12 and UCS acknowledgment records.

Formatting X12 envelopes

X12 envelopes require each header record to start with the characters ISA and each trailer record to start with the characters IEA.

Defining X12 data element delimiters

The first character following ISA in the header is used as the data element delimiter for X12 messages. Delimiters separate data elements within an X12 message and are assigned by the sender. These characters are different from those of the data elements. If a character is selected as a delimiter, that character is no longer available during this interchange for use in a data element. The ending character (terminator character) must be different from the data-element delimiter and the subelement delimiter.

Defining X12 subelement delimiters

The subelement delimiter is a field reserved by the ANSI X12 Standards for future use and should currently be the same as the data-element delimiter.

Illustrating X12 segment structures

The following tables describe the X12 header, trailer, and acknowledgment records.

Table B-1. X12 Interchange control header record

DESCRIPTION	POSITION	SIZE	IDENTIFIER
ISA	1 - 3	3	
Delimiter	4	1	
Authorization information qualifier	5 - 6	2	ISA01 744
Delimiter	7	1	
Authorization information	8 - 17	10	ISA02 745
Delimiter	18	1	
Security information qualifier	19 - 20	2	ISA03 746
Delimiter	21	1	
Security information	22 - 31	10	ISA04 747
Delimiter	32	1	
Interchange ID qualifier	33 - 34	2	ISA05 704
Delimiter	35	1	
Interchange sender ID	36 - 50	15	ISA06 705
Delimiter	51	1	
Interchange ID qualifier	52 - 53	2	ISA07 704
Delimiter	54	1	
Interchange receiver ID	55 - 69	15	ISA08 706
Delimiter	70	1	
Date	71 - 76	6	ISA09 373
Delimiter	77	1	
Time	78 - 81	4	ISA10 337
Delimiter	82	1	
Interchange standard ID	83	1	ISA11 726
Delimiter	84	1	
Interchange version ID	85 - 89	5	ISA12 703
Delimiter	90	1	
Interchange control number	91 - 99	9	ISA13 709
Delimiter	100	1	
Acknowledge requested	101	1	ISA14 749
Delimiter	102	1	
Test indicator	103	1	ISA15 748
Delimiter	104	1	
Subelement delimiter	105	1	ISA16 701
Terminator	106	1	

Table B-2. X12 Interchange control trailer record

DESCRIPTION	POSITION	SIZE	IDENTIFIER
IEA	1 - 3	3	
Delimiter	4	1	
Number of included groups	5 - 9	5	IEA01 405
Delimiter	10	1	
Interchange control number	11 - 19	9	IEA02 709
Terminator	20	1	

Table B-3. X12 interchange acknowledgment record

DESCRIPTION	POSITION	SIZE	IDENTIFIER
TA1	1 - 3	3	
Delimiter	4	1	
Interchange control number	5 - 13	9	TA101 709
Delimiter	14	1	
Date	15 - 20	6	TA102 373
Delimiter	21	1	
Time	22 - 25	4	TA103 337
Delimiter	26	1	
Interchange acknowledgment code	27	1	TA104 711
Delimiter	28	1	
Interchange acknowledgment note code	29 - 31	1	TA105 714
Terminator	32	1	

Formatting UCS envelopes

UCS envelopes require each header record to start with the characters *BG* and each trailer record to start with the characters *EG*.

EDI VAN Interconnect expects your UCS messages to be in the format this section describes.

Defining the data element delimiter

Place the delimiter * (asterisk) after the segment identifier and after each data element in a segment (except the last element).

Defining the data segment terminator

Use the nonprintable EBCDIC new-line character *NL* to end message segments. Insert this character in the data segment immediately following the last data element to be transmitted.

Illustrating UCS segment structures

The following tables illustrate the layout of the header, trailer, and acknowledgment records.

Table B-4. UCS transmission control header record

DESCRIPTION	MIN. SIZE	MAX. SIZE	IDENTIFIER
BG	2	2	
Delimiter (*)	1	1	
Comm ID	1	10	BG01 402
Delimiter (*)	1	1	
UCS password	1	10	BG02 403
Delimiter (*)	1	1	
Application sender's CD	2	12	BG03 142
Delimiter (*)	1	1	
Application receiver's CD	2	12	BG04 124
Delimiter (*)	1	1	
Data interchange date	6	6	BG05 29
Delimiter (*)	1	1	
Data interchange time	4	4	BG06 30
Delimiter (*)	1	1	
Transmission control number	1	5	BG07 404
Terminator (NL)	1	1	

Table B-5. UCS transmission control trailer record

DESCRIPTION	MIN. SIZE	MAX. SIZE	IDENTIFIER
EG	2	2	
Delimiter (*)	1	1	
Transmission control number	1	5	EG01 404
Delimiter (*)	1	1	
Included FCT groups	1	5	EG02 405
Delimiter (*)	1	1	
Included sets	1	6	EG03 97
Delimiter (*)	1	1	
Included segments	1	6	EG04 96
Terminator (NL)	1	1	

Table B-6. UCS interchange acknowledgment record (A1)

DESCRIPTION	POSITION	SIZE	IDENTIFIER
A1	1 - 2	2	
Delimiter (*)	3	1	
Set identifier	4 - 22	19	A101
Delimiter (*)	23	1	
Reference designator	24 - 28	5	A102
Delimiter (*)	29	1	
Error field data	30 - 41	12	A103
Delimiter (*)	42	1	
Error condition	43	1	A104
Terminator (NL)	44	1	

Formatting EDIFACT envelopes

EDIFACT envelopes require each header record to start with the characters *UNA* or *UNB*, and each trailer record to start with the characters *UNZ*.

Defining the data element delimiter

Delimiters are used to separate data elements and subelements within an EDIFACT message. Delimiters are assigned either by the sender or by default. The sender can use the *UNA* segment to specify the values to be used as the delimiters. However, if the sender does not supply a *UNA* segment, default values are provided.

Including a release character

Characters selected as delimiter values are available for use in a data element during this interchange if preceded by a release character. The release character indicates that the delimiter should be treated as a data character rather than a delimiter.

Illustrating EDIFACT segment structures

Figures B-7 and B-8 illustrate the layout of the EDIFACT header and trailer records. Figure B-9 illustrates the optional delimiter string advice records. This key explains the codes in the EDIFACT header and trailer records:

This code:	Indicates:
R	Required element
C	Conditional element.
a	Alphabetic characters.
n	Numeric characters
an	Alphanumeric characters.
a3	Three alphabetic characters of fixed length.
a..3	Up to three alphabetic characters.
an..14	Up to 14 alphanumeric characters.

Table B-7. EDIFACT transmission control header record

DESCRIPTION	COND/REQ	REPR	IDENTIFIER
UNB	R	a3	
Element separator			
Syntax identifier	R		S0001
Identifier	R	a4	0001
Subelement separator			
Version number	R	n	0002
Element separator			
Interchange sender	R		S0002
Sender identification	R	an.35	0004
Subelement separator			
Qualifier	C	an.4	0007
Subelement separator			
Routing address	C	an.14	0008
Element separator			
Interchange recipient	R		S0003
Recipient identification	R	an.35	0010
Subelement separator			
Qualifier	C	an.4	0007
Subelement separator			
Routing address	C	an.14	0014
Element separator			
Date/time of preparation	R		S0004
Date	R	n6	0017
Subelement separator			
Time	R	n4	0019
Element separator			
Interchange control reference	R	an.14	0020
Element separator			
Recipient's reference/password	C		S0005
Element separator			
Reference/password	R	an.14	0022
Subelement separator			0025
Qualifier	C	an2	
Element separator			
Application reference	C	an.14	0026
Element separator			
Processing priority code	C	a1	0029
Element separator			
Acknowledgment request	C	n1	0031
Element separator			
Communications agreement ID	C	an.35	0032
Element separator			
Test indicator	C	n1	0035
Segment terminator			

Table B-8. EDIFACT transmission control trailer record

DESCRIPTION	CON/REQ	REPR	IDENTIFIER
UNZ Element separator	R	a3	
Interchange control count Element separator	R	n.6	0036
Interchange control reference	R	an..14	0020

Table B-9. EDIFACT delimiter string advice record (A3)

DESCRIPTION	POSITION	SIZE	NORMAL VALUE
UNA	1 - 3	3	"UNA"
Subelement separator	4	1	:
Element separator	5	1	+
Decimal notation	6	1	, or .
Release indicator	7	1	?
Reserved for future use	8	1	
Segment terminator	9	1	*

Communicating with other VANs

This appendix lists all EDI Services providers value-added networks (VANs) that you can communicate with through EDI VAN Interconnect as of March 1999. It includes the Information Exchange mailbox name for each VAN. The mailbox name consists of Information Exchange account ID VANS and user ID xxMAIL. If you are unfamiliar with the field names and values in EDI envelope headers, trailers, and acknowledgment records, refer to Appendix B, “Formatting EDI envelopes.”

VAN identifications

The following table summarizes valid VAN identifications.

Company Name	User ID
Advanced Communications Systems	ACMAIL
Ameritech Information Exchange Management	AMMAIL
ARI Network Services (Agridata) AGMAIL	ARINC ARMAIL
AT&T EasyLink Services (formerly AT&T EDI Services)	ATMAIL
ATT Easylink Services (formerly Western Union)	WUMAIL
MCI EDI*Net (Formerly BT North America EDI8Net; McDonnell/Douglas- Tymnet)	BTMAIL & MCMAIL
Caterpillar	CAMAIL
Commport Communications International, Inc.	CPMAIL
ECom, Inc.	CMMAIL
Encompass	EMAIL
EDS ELIT(formerly GM/EDS)	GMMAIL
Electronic Commerce Systems, Inc.	ELMAIL

Company Name	User ID
GXS Information Exchange service	GEMAIL ¹
Harbinger*EDI	HAMAIL
Internet Commerce Corporation	NTMAIL
Intertrade	TRDMAIL
Innovative Business Systems, Inc. (IBS)	GEMAIL
Kubra Data Transfer, Ltd.	KBMAIL
Kleinschmidt, Inc.	KLMAIL
Management Information Systems Group	MIMAIL
Sterling Software COMMERCE:Network (formerly OrderNet)	ORMAIL & CDMAIL
PRISM Information, Inc.	PRMAIL
SIDEREAL	SDMAIL
Softshare Information Services	SFMAIL
Transact Data Services, Inc. (TDSi)	SIMAIL
Simplix	SMXMAIL
Sprint	EDI SPMAIL
World Linx (formerly Telecom Canada or Traderoute)	TCMAIL
TDNI EDI Service (Transport Data Network International)	TDMAIL
TPS, Inc.	TPMAIL
TranSettlements	TSMAIL
Union Pacific Technologies	UPMAIL

1. "GEMAIL" is necessary to route to other GXS services (e.g, ICS).

Translating data between networks

Because of the differences in the types of computer systems, the exchange of messages between multiple VANs can result in data incompatibility. EDI VAN Interconnect, like many systems, uses the EBCDIC character set, which consists of 256 characters. Other systems use the ASCII character set, which has 128 characters. To enable people on networks using different character sets to communicate, translation tables are used.

For example, EDI VAN Interconnect can send a message to a trading partner on a VAN that uses the ASCII character set. When a network using ASCII characters receives messages from a network using EBCDIC characters, the receiving network attempts to map the EBCDIC characters to ASCII characters. To do this, it uses a translation table. Your data, although changed

to the ASCII set, appears to your trading partner as you intended. An EBCDIC character that cannot be translated to a corresponding ASCII character is replaced by some ASCII character of the receiving network's choice. This is usually a blank.

Because of the differences between VANs, EDI VAN Interconnect can translate the data-element delimiter and data-segment terminator characters for X12 messages only. For more information, see Chapter 3, "Using customization tables." The dataelement delimiter and the data-segment terminator are not translated for UCS.



Glossary

This glossary defines words as they are used in this book. This glossary also includes terms and definitions from:

- The *American National Dictionary for Information Systems* ANSI X3.172-1990 by the American National Standards Institute (ANSI). Copies may be purchased from the American National Standards Institute, 11 West 42 Street, New York, New York 10036. Definitions are identified by the symbol (A) after the definition.
- The *Information Technology Vocabulary*, developed by Subcommittee 1, Joint Technical Committee 1, of the International Organization for Standardization and the International Electrotechnical Commission (ISO/IEC JTC1/SC1). Definitions from draft international standards, committee drafts, and working papers being developed by ISO/IEC JTC1/SC1 are identified by the symbol (T) after the definition, indicating that final agreement has not yet been reached among the participating National Bodies of SC1.

A

account. A group of users who work together in a company, such as a department or a team.

account ID. A name that identifies an account to EDI VAN Interconnect.

acknowledgment record. An affirmative response indicating that a message was sent or received, contained transmission errors, or contained formatting errors.

address. A user's account name and identification (ID); used by EDI VAN Interconnect to route messages.

alias. A nickname used instead of an account ID and user ID. See also interchange ID.

American National Standard Code for Information Interchange (ASCII). The standard code, using a coded character set consisting of 7-bit coded characters (8 bits including parity check), used for information interchange among data processing systems, data communication systems, and associated equipment. The ASCII set consists of control characters and graphic characters. (A)

American National Standards Institute (ANSI). An organization that establishes voluntary industry standards.

ANSI. American National Standards Institute.

ASCII. American National Standard Code for Information Interchange.

C

command. A word or abbreviation you type at the terminal that tells the system to perform a task.

customization table. A file used to define special processing for a message sent to or received by EDI VAN Interconnect.

D

default. A value that is used when you have not specified a different value.

delimiter. A character used to separate data elements within a message. The delimiter is part of the character strings that it delimits.

destination. The final EDI VAN Interconnect address to which a message is to be delivered.

E

EBCDIC. Extended binary-coded decimal interchange code.

EDI. Electronic data interchange.

EDI VAN Interconnect. A service that allows users to send and receive EDI data with their trading partners who are customers of another EDI Services provider value-added network.

EDIFACT. Electronic Data Interchange for Administration, Commerce, and Transport.

electronic data interchange (EDI). The process of electronically sending specially formatted business documents directly from one computer to another.

Electronic Data Interchange for Administration, Commerce, and Transport. EDI information exchange standards developed by the United Nations Economic Commission for Europe. These standards are known collectively as EDIFACT. See also *United Nations Electronic Data Interchange for Administration, Commerce, and Transport*.

envelope. In EDI, that part of a message containing information used in the submission, sending, or delivery of the message. (T) The envelope consists of control information at the beginning of the message and at the end of the message. See *header* and *trailer*.

extended binary-coded decimal interchange code (EBCDIC). A coded character set consisting of 256 8-bit characters.

F

flag. An indicator that shows the setting of a switch. Used to turn a given condition on or off.

G

gateway. A functional unit that connects two computer networks of different architectures.

H

header. The portion of a message that contains control information for the message, such as one or more destination fields, the name of the originating station, the input sequence number, and the priority level for the message. The header precedes the message. See also *trailer*.

I

EDI Services. A communication service that permits users to send and receive information electronically within their business or with other enterprises.

inbound message. Messages received from other networks.

Information Exchange. A communication service that permits users to send and receive information electronically.

Information Exchange user profile. A profile that contains information on characteristics unique to a specific user that describes how that user wants to perform functions within Information Exchange.

interchange ID. A nickname used instead of an account ID and user ID. See also *alias*.

Interconnect Mailbag standard. An EDI standard developed according to the guidelines of ANSI, which defines the control segments used to start and end a mailbag containing EDI data to be exchanged between two interconnecting VANs. See also *mailbag*.

M

mailbag. A data set that consists of a header and trailer, actual EDI message data, and provides destination and processing information for an interconnected entity such as a VAN.

mailbox. A temporary storage area for electronic mail before it is retrieved by the intended recipient. message. Any piece of data that users send or receive.

message acknowledgment. A response from EDI VAN Interconnect that lets users know that a message was delivered to another value-added network.

O

outbound message. Messages that are sent to another network.

P

password. A combination of characters users enter when they log on, designed to be secret to prevent unauthorized access to their data.

R

receipt acknowledgment. A communication you receive from EDI VAN Interconnect indicating that it is processing your message, which it took from Information Exchange.

S

service administrator. A primary contact person in your organization for various support groups (for example, the Customer Care Help Desk).

T

trading partner. A business associate or firm with whom you exchange information electronically.

trailer. Control information added to the end of a message.

U

UCS. Uniform Communication Standard.

Uniform Communication Standard (UCS). A standard EDI format used in the grocery industry.

user identification (user ID). A name that identifies a user in an account to EDI VAN Interconnect.

user message class. A category, agreed upon among trading partners, used to group Information Exchange messages.

user profile. A list of the characteristics that describe how a user can work with EDI VAN Interconnect.

V

value-added network (VAN). A computer network that provides EDI services to its customers.

VAN. Value-added network.

X

X12. An EDI data stream conforming to the Accredited Standards Committee X12 format. The ASC X12 is accredited by ANSI.



Index

A

- A1 record
 - acknowledgment note, X12 43
 - format 58
 - general discussion 44
- additional application options 37
- ADV
 - definition of 17
 - relation to system ID 17
- American National Standards Institute (ANSI) 1
- ANSI
 - See American National Standards Institute(ANSI) 3
- Avoiding duplicate interchange ID 7

B

- blocking
 - inbound messages 13, 16
 - outbound messages 16
- blocking outbound messages 12

C

- charges, message 12
- charges,message 15
- choosing your interchange IDs 7
- codes and messages 49
- command syntax 23
- commands
 - DEFCUSTALIAS 22
 - DEFCUSTTP 22
 - REQCUSTTBL 22
 - SEND 37
 - SENDEDI 38

- communicating with VANs, general discussion 63
- correcting errors 49
- customization table
 - adding items 36
 - changing items 36
 - defining 33
 - deleting items 36
 - entries, definition of 21
 - general discussion 21
 - guidelines 22
 - resending entries 36
 - retaining information 36

D

- data
 - data-element delimiter 64
 - data-segment terminator 64
 - translation between networks 64
- data incompatibility 64
- defining
 - EDIFACT data element delimiters 59
 - interchange ID
 - using a customization table 23
 - using the DEFCUSTALIAS command 24
 - release characters 59
 - UCS data element delimiters 57
 - UCS data segment terminator 57
 - X12 data element delimiters 55
 - X12 subelement delimiters 55
- delivering messages 3
- displaying a list using Information Exchange Administration Services 13

E

EDI VAN Interconnect

- how to use 5
- introduction 1
- message syntax 47
- messages and codes 49
- purpose 1
- relationship with Information Exchange 2
- requirements 5
- sending messages to 37
- summary of use 6

EDIFACT

- advice record 61
- defining data element delimiters 59
- envelop 4
- error message 45
- Europe 4
- formatting envelopes 59
- header record 60
- including release characters 59
- processing messages 39
- reading error messages 45
- trailer record 61
- validating messages 39

Electronic Data Interchange (EDI)

- formatting envelopes 55

Electronic Data Interchange for Administration, Commerce, and Transport (EDIFACT)

- inbound data 40

Electronic Data Interchange(EDI)

- envelope standardsl 4
- formatting messages 4
- general discussion 1

envelope

- contents 4
- defining the EDIFACT data element delimiter 59
- defining the UCS data element delimiters 57
- defining the UCS data segment terminator 57
- defining X12 data element delimiters 55
- defining X12 subelement delimiters 55
- definition of 4
- formatting EDIFACT messages 59
- formatting X12 envelopes 55
- standards 4

envelopes

- formatting UCS envelopes 57

error messages

- general discussion 47
- list of codes 49
- outbound 42

- reason codes 47

- syntax 47

- exchanging messages between multiple VANs, considerations of 64

F

formatting

EDIFACT envelopes

- advice record 61
- defining data element delimiters 59
- header record 60
- including a release character 59
- trailer record 61

G

gateway 3

getting started 5

H

handling rejected messages

- outbound 42

header 4

- definition of 4
- EDIFACT record format 60
- UCS record format 58
- X12 record format 56

I

identifying

- in a UCS header 8
- in an X12 header 8

identifying Interchange IDs 8

inbound messages

- blocking 13
- definition of 3

Information Exchange

- mailbox 9
- mailbox profile 9
- updating your user profile 9

Information Exchange Administration Services

- using 5

informing external VANs 18

informing trading partners 18

Interchange ID

- general discussion 24

interchange ID

- considerations of 7

Interchange IDs
 defining 8
 interchange IDs
 definition of 3
 purpose 3
 INTERCON
 definition of 17

M

mailbox destinations 37
 message
 charges 12
 message charges 15
 message syntax 47
 messages
 default processing 40
 delivery of 3
 EDI, receiving 40
 envelope standards 4
 formatting 4
 inbound 3
 mailbox destinations 37
 outbound 3
 processing 38
 processing of 40
 reading EDIFACT error messages 45
 reading UCS error messages 44
 reading X12 acknowledgment notes 43
 reading x12 error messages 42
 receiving 3, 8
 rejected outbound 42
 rejecting 3
 sending 3
 special processing 40
 syntax 47
 user message classification 41
 validating 38

O

outbound messages
 definition of 3
 rejected 42

P

payment levels
 in user profile 9
 setting up 9
 with a trading partner list 13

processing messages 38
 profile
 updating 9

Q

qualifier
 definition of 7

R

reading
 EDIFACT error messages
 format of 45
 user message class 45
 X12 acknowledgment note 43
 X12 error messages
 formatted 42
 free-formatted 43
 reason codes 47
 receive-side charges 13, 16
 receiving messages
 general discussion 3

S

sending messages 37
 send-side charges 12, 15
 special processing
 determining need 19
 features 22
 options 19
 requirements 22
 specifying
 account IDs for trading partners 17
 specifying user IDs for trading partners 17
 system codes 49

T

TA3 3
 The 36
 This 5
 trading partner
 communicating with 63
 defining 29
 trailer 4
 definition of 4
 EDIFACT record format 61
 UCS record format 58
 X12 record format 56

translating data between networks 64
transmit message acknowledgments purpose 4

U

UCS envelopes

acknowledgment record 58
defining the data element delimiters 57
defining the data segment terminator 57
header record 58
trailer record 58

UCS error messages

A1 record 44
format of 44

Uniform Communication Standard (UCS) 58

acknowledgment record 58
defining the data element delimiter 57
defining the data segment terminator 57
envelop 4
error messages 44
formatting envelopes 57
header record 58
inbound data 39
processing messages 39
reading error messages 44
validating messages 39

user message classification 41

using

a customization table 21
special processing 22
the REQCUSTTBL command 33

acknowledgment record 57
ANSI ASC 4
defining data element delimiters 55
defining subelement delimiters 55
envelope 4
error message 42
formatted example 8
formatting envelopes 55
header record 56
inbound data 38
processing messages 38
reading error messages 42
trailer record 56
validating messages 38

X12 envelopes

acknowledgment record 57
defining data element delimiters 55
defining subelement delimiters 55
header record 56
trailer record 56

xxMail

definition of 17
listing of valid IDs 63

V

validating messages

EDIFACT 39
UCS 39
X12 38

value-added network (VAN)

considerations of using 64
differences 65
interchange ID requirements 18
list of 63
supported VANs 63
valid account IDs 63
valid user IDs 63

X

X12

acknowledgment 43